



Prize Winner

Scientific Inquiry
Year 5-6

Hanyue LI
Zoe Zuo

Grange Primary School



The best angle and orientation for solar panels

Introduction

Many households have installed solar panels. However, are we really getting the best profit from solar panels? Solar panels are expensive, costing AU\$ 2,400–14,000 per household [1]. Therefore, achieving high efficiency of solar panels is important. Previous studies have identified various factors affecting power output, including solar panel's size, coating, solar cells, and its instalment angle and orientation. Among all these factors, the best angle and orientation is one of the most important, because the more sunlight the panel catches at the ideal angle, the more energy the solar panel produces [2]. However, there is no agreement on which orientation or angle is best for solar panels: some sources indicate South [3] while some others propose North [4]. Therefore, we conducted this experiment to discover the best angle and orientation for solar panels in Adelaide, Australia.

Research question and prediction

Our research question is ‘which angle and orientation are best for solar panels to produce power?’ We predict that the best angle is 15° in summer and 60° in winter [5], and the best orientation is North [6].

Variables

The independent variable is the angle and orientation of the panel, and the dependant variable is the voltage generated by the panel. The control variables include physical environments of the test site, such as a fixed test spot and at a fixed time.

Materials and equipment

Our experiment consists of three tests. The tests used different materials and equipment as shown in Table 1 (see Appendixes 1 and 3 for pictures).

Table 1. Materials and equipment

	Test 1	Test 2	Test 3
multimeter			
triangular ruler			
sticks			

leaves			
paint			
water			
chair			
battery			
battery equalizer			
foil			
thermometer			
compass			
LEGO			
wires			
solar panel			
dust			
cardboard			

Method

Test 1

Test 1 aimed to inform two optimal combinations for comparison in Test 2. Voltages were measured daily from five angles (0°, 30°, 45°, 60° and 90°) facing four orientations (North, East, South and West) at two heights (0 and 50 cm) at three time points (9 am, 12 pm and 5 pm). These measurements took place at two suburbs: Grange and West Lakes (see Appendix 1 for photos).

1. Make marks on a fixed spot to identify accurate directions using a compass and prepare 2 triangle rulers, one with 45° and 90°, one with 30° and 60°.
2. Connect solar panel to the multi-meter.
3. Measure the voltage for 20 angle-orientation combinations (5 angles x 4 orientations x 2 heights) by placing the solar panel on the floor or leaning it on the triangle rulers. Make sure no shadow over the solar panel.
4. Read the voltage number and record.
5. Repeat the measurement three times a day in summer (8-27 Jan).

Test 2

Test 2 aimed to compare the two optimal angle-orientation combinations and identify the best one. Test 2 was conducted weekly. Based on the result of Test 1, the West Lakes experiment removed the height of 50 cm and added an angle of 15° , which generated 20 combinations (5 angles x 4 orientations). The West Lakes experiment (5 Feb – 30 Apr) informed the Grange experiment which two optimal angle-orientation combinations need to be compared. The Grange experiment (27 Feb – 22 Apr) used two solar panels to compare the whole day voltage obtained from the two combinations. Each comparison was done twice, and the batteries were swapped to make the tests fair. We designed a platform (Appendix 2) to change the solar panel to the right angle. However, we were unable to build it and then used LEGO instead (Appendix 3).

1. Make a base with LEGO to put on solar panel and battery. Make sure the platform/base is at the right angle using a triangle ruler.
2. Measure the power each battery has at the beginning of the day.
3. Placing the LEGO board in the sun with all the batteries and solar panels in place and face it the right way using a digital compass.
4. After 7-9 hours, measure the power each battery now has.
5. Repeat the measurement weekly.

Test 3

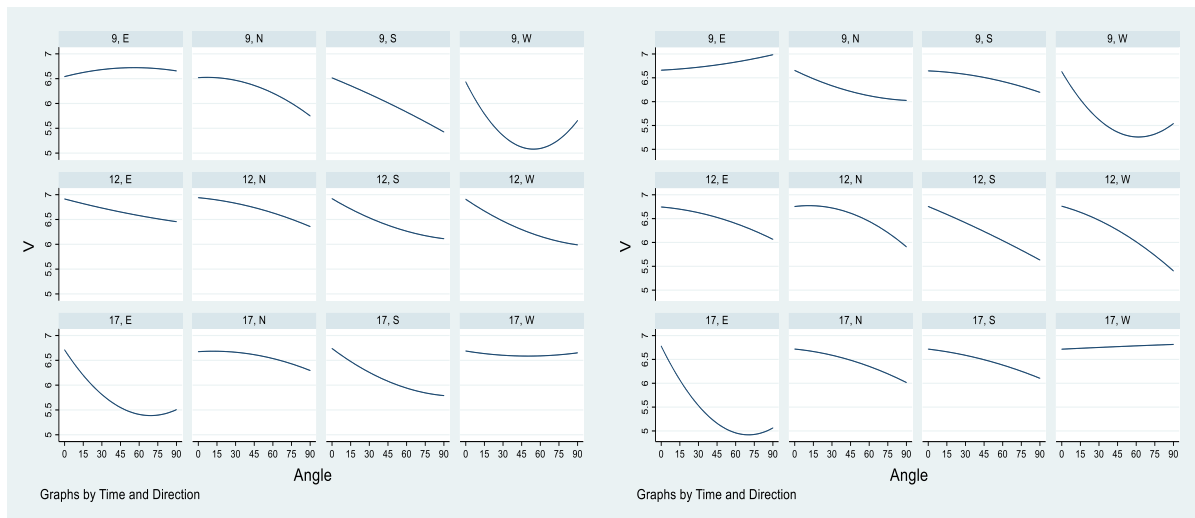
Test 3 checked whether the things covering solar panel affects its efficiency. Test 3 was conducted once.

1. Place leaves, sticks, paint (to mimic bird poo), dust, water, and foil on solar panels connected to multimeter one by one.
2. Record the results and see which coverage may increase/decrease the efficiency.

Results

Test 1

As shown in Figure 1, in the morning, the 90° -East combination usually generates the highest voltage, and 0° can generate high voltage for other orientations. In the noon, 0° works the best in all orientations. In the late afternoon, the 90° -West combination generates the highest voltage, and 0° works efficiently for other orientations. Test 1 suggests that 0° generally works the best, followed by 30° ; the best orientation changes along the day.



West Lakes

Grange

Figure 1. Measurement results of Test 1

Test 2

Informed by the Test 1 results, we compared 0° , 15° , and 30° in Test 2 in Grange. The selection of orientation was informed by the West Lakes experiment. Figure 2 shows that 0° works better than 15° or 30° for 10 out of 16 times. However, it is worth noting that 0° became less efficient than 15° or 30° starting from April (Autumn). North is the usually the best orientation for the entire-day measurement.

Test 3

Water and the shiny side of aluminium foil were the only ones that improved the efficiency. Leaves, sticks, dust and paint (to mimic bird poo) all decreased the efficiency of the panel.

Reflection

The experiments can be improved. First, we did the test mainly on the ground, not examining solar panels on the height of roof. Second, the experiment was not conducted throughout all seasons, which cannot fully capture the seasonal changes in the angle-orientation combination of solar panel efficiency.

Date	Time	Battery	Test Condition	Voltage	Difference	Relation		
01-Mar-23	Morning	No.1	0°	3.99				
	Morning	No.2	15°(N)	3.99				
	Night	No.1	0°	4.02	0.03			
	Night	No.2	15°(N)	4.00	0.01	0°	>	15°(N)
11-Mar-23	Morning	No.1	15°(N)	3.11				
	Morning	No.2	0°	3.09				
	Night	No.1	15°(N)	3.44	0.33			
	Night	No.2	0°	3.44	0.35	0°	>	15°(N)
15-Mar-23	Morning	No.1	15°(W)	3.76				
	Morning	No.2	0°	3.85				
	Night	No.1	15°(W)	3.79	0.03			
	Night	No.2	0°	3.89	0.04	0°	>	15°(W)
16-Mar-23	Morning	No.1	15° (W)	3.78				
	Morning	No.2	0°	3.78				
	Night	No.1	15°(W)	3.81	0.03			
	Night	No.2	0°	3.81	0.03	0°	=	15°(W)
17-Mar-23	Morning	No.1	0°	3.81				
	Morning	No.2	15° (W)	3.81				
	Night	No.1	0°	3.85	0.04			
	Night	No.2	15°(W)	3.84	0.03	0°	>	15°(W)
20-Mar-23	Morning	No.1	15°(E)	3.83				
	Morning	No.2	0°	3.83				
	Night	No.1	15° (E)	3.87	0.04			
	Night	No.2	0°	3.88	0.05	0°	>	15°(E)
22-Mar-23	Morning	No.1	0°	3.87				
	Morning	No.2	15°(E)	3.87				
	Night	No.1	0°	3.91	0.04			
	Night	No.2	15°(E)	3.90	0.03	0°	>	15°(E)
23-Mar-23	Morning	No.1	15°(S)	3.90				
	Morning	No.2	0°	3.90				
	Night	No.1	15° (S)	3.94	0.04			
	Night	No.2	0°	3.94	0.04	0°	=	15° (S)
24-Mar-23	Morning	No.1	0°	3.93				
	Morning	No.2	15° (S)	3.93				
	Night	No.1	0°	3.97	0.04			
	Night	No.2	15° (S)	3.96	0.03	0°	>	15° (S)
01-Apr-23	Morning	No.1	30° (N)	3.95				
	Morning	No.2	0°	3.96				
	Night	No.1	30° (N)	3.98	0.03			
	Night	No.2	0°	3.98	0.02	0°	<	30° (N)
02-Apr-23	Morning	No.1	0°	3.98				
	Morning	No.2	30° (N)	3.98				
	Night	No.1	0°	4.00	0.02			
	Night	No.2	30° (N)	4.02	0.04	0°	<	30° (N)
03-Apr-23	Morning	No.1	30° (N)	4.01				
	Morning	No.2	15°(N)	4.01				
	Night	No.1	30° (N)	4.04	0.03			
	Night	No.2	15°(N)	4.05	0.04	15°(N)	<	30° (N)
04-Apr-23	Morning	No.1	0°	4.04				
	Morning	No.2	30° (N)	4.04				
	Night	No.1	0°	4.06	0.02			
	Night	No.2	30° (N)	4.08	0.04	0°	<	30° (N)
10-Apr-23	Morning	No.1	15° (N)	3.95				
	Morning	No.2	30°(N)	3.95				
	Night	No.1	15° (N)	3.97	0.02			
	Night	No.2	30°(N)	3.98	0.03	15° (N)	<	30°(N)
18-Apr-23	Morning	No.1	15°(N)	3.97				
	Morning	No.2	0°	3.97				
	Night	No.1	15°(N)	3.98	0.01			
	Night	No.2	0°	3.99	0.02	0°	>	15°(N)
22-Apr-23	Morning	No.1	0°	3.99				
	Morning	No.2	15°(N)	3.98				
	Night	No.1	0°	4.00	0.01			
	Night	No.2	15°(N)	4.00	0.02	0°	<	15°(N)

Figure 2. Test 2 results

Conclusion

Solar panels work most efficiently at 0° in summer and early autumn; 30° becomes the best mostly from middle autumn. North is the best orientation to place solar panels. Future study can investigate if a different angle working the best in winter/spring. Water on solar panel surface can increase the efficiency, maybe because water traps the sunlight, letting the solar panel take more of it. There may be other things on the solar panel surface that could improve solar efficiency like water does, which needs to be further studied.

(Word count: 1070)

References

[1] Instyle Solar (n.d.). How much does solar cost?

<https://instylesolar.com/solar-guides/how-much-does-solar-cost#:~:text=Solar%20panels%20cost%20in%20Australia,%2C%20for%20example%2C%20is%20%245%2C250.>

[2] Jason Svarc (2023). Most efficient solar panels 2023.

https://www.google.com.au/url?sa=t&rct=j&q=&esrc=s&source=web&cd=&ved=2ahUKEwio66-XprD-AhXaaN4KHUg-CukQFnoECAwQAw&url=https%3A%2F%2Fwww.cleanenergyreviews.info%2Fblog%2Fmost-efficient-solar-panels&usg=AOvVaw28NaQF9Bgnrk_VwN2ccRf9

[3] Ashlyn Brooks, Lowe Saddler (2022). What is the best angle and orientation for solar panels?

<https://www.forbes.com/home-improvement/solar/best-angle-for-solar-panels/#:~:text=What%20is%20the%20best%20direction,best%20direction%20for%20solar%20panels.>

[4] Solar analytics (2022). Orientation-How it affects solar panels.

<https://www.solaranalytics.com.au/community-news/orientation-how-it-affects-solar-panels#:~:text=What%20is%20the%20best%20direction%20to%20face%20solar%20panels%20in%20Australia%3F&text=North%2Dfacing%20panels%20will%20usually,mostly%20directed%20from%20the%20north>

[5] The solar zenith angle at noon was calculated based on the geographic location of Adelaide, using the equation from

<https://sacs.aeronomie.be/info/sza.php#:~:text=When%20observing%20a%20given%20point,that%20point%20to%20the%20sun.>

[6] Department for energy and mining (2018). Windows and shading.

<https://www.google.com.au/url?sa=t&rct=j&q=&esrc=s&source=web&cd=&ved=2ahUKewiRiKeVq5z-AhWNVd4KHYt4BV8QFnoECBAQAw&url=https%3A%2F%2Fwww.sa.gov.au%2Ftopics%2Fenergy-and-environment%2Fenergy-efficient-home-design%2Fwindows-and-shading&usg=AOvVaw1RI0RokiVtEGOdOxZW6L95>

Acknowledgement

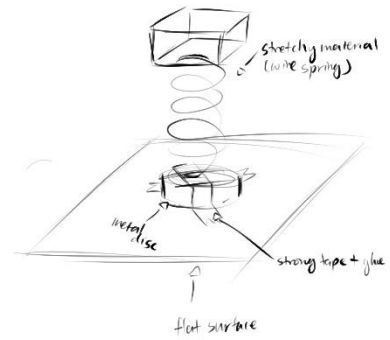
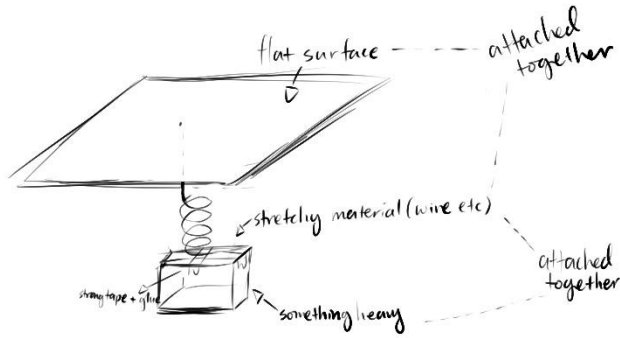
We thank Hanyue's parents for providing the experiment materials and equipment. Hanyue's mum calculated the solar zenith angle at noon, and Hanyue's dad assisted designing circuit board. We also thank Zoe's mum for making Figure 1 based on the Test 1 data and proofreading the final paper.

Appendix 1. Conducting measurement with equipment and materials

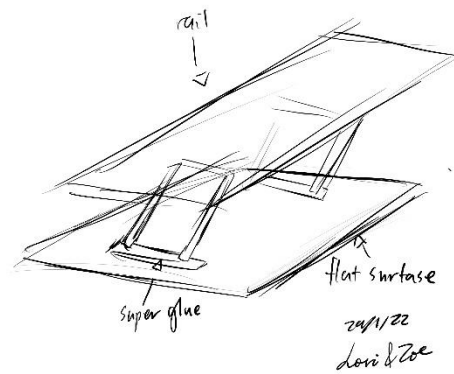
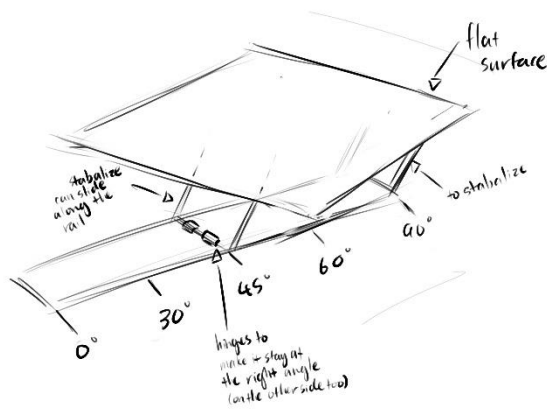


Appendix 2. The draft of self-designed platform that changes the angle of solar panel.

design NO.1

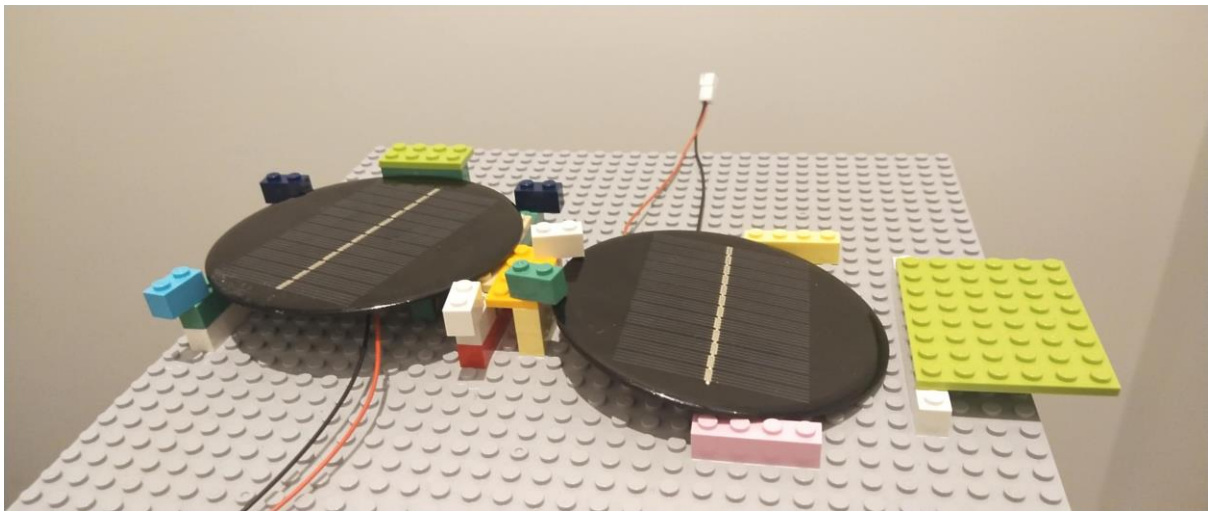
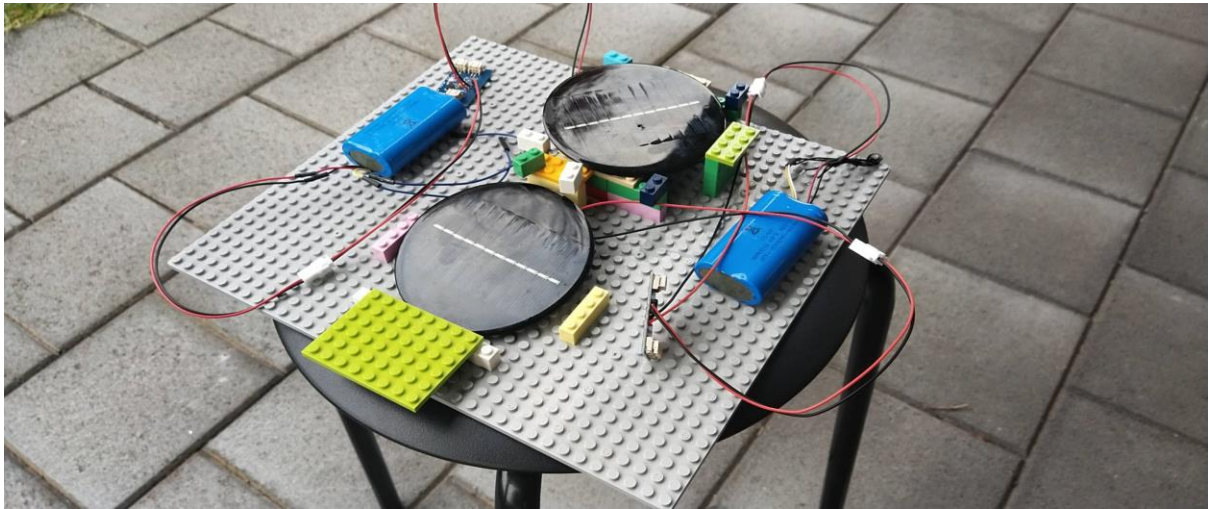


design NO.2



Source: Designed by Hanyue and Zoe, hand-drawn by Zoe

Appendix 3. Lego platform



OSA RISK ASSESSMENT FORM

for all entries in Models & Inventions and Scientific Inquiry

This must be included with your report, log book or entry. One form per entry.

STUDENT(S) NAME: Hanyue Li, Zoe Zuo ID: 0218-029

SCHOOL: Grange Primary

Activity: Give a brief outline of what you are planning to do.

We conducted experiments to test which angle and orientation are best for solar panels to generate power. We tested 6 angles (0°, 15°, 30°, 45°, 60°, and 90°) and four orientations (East, West, North, South). We also tested which things on the surface of solar panels would decrease/increase its efficiency.

Are there possible risks? Consider the following:

- Chemical risks: Are you using chemicals? If so, check with your teacher that any chemicals to be used are on the approved list for schools. Check the safety requirements for their use, such as eye protection and eyewash facilities, availability of running water, use of gloves, a well-ventilated area or fume cupboard.
- Thermal risks: Are you heating things? Could you be burnt?
- Biological risks: Are you working with micro-organisms such as mould and bacteria?
- Sharps risks: Are you cutting things, and is there a risk of injury from sharp objects?
- Electrical risks: Are you using mains (240 volt) electricity? How will you make sure that this is safe? Could you use a battery instead?
- Radiation risks: Does your entry use potentially harmful radiation such as UV or lasers?
- Other hazards.

Also, if you are using other people as subjects in an investigation you must get them to sign a note consenting to be part of your experiment.

Risks	How I will control/manage the risk
Electrical risks	We used small solar panels that only generates <10 volt and battery.
Sunburn	An adult supervised the use of battery. We wear hats when measure the voltage under the sun.

(Attach another sheet if needed.)

Risk Assessment indicates that this activity can be safely carried out

RISK ASSESSMENT COMPLETED BY (student name(s)): Hanyue Li, Zoe Zuo

SIGNATURE(S): Hanyue Li Zoe Zuo

By ticking this box, I/we state that my/our project adheres to the listed criteria for this Category.

TEACHER'S NAME: Susan Wilson

SIGNATURE: Susan Wilson DATE: 30/6/23

Log book

Test 1

Venue	Date	Time	Humidity	Wind	Weather	Temp	Angle	Direction	V
W	8-Jan	12	0.38	24	sunny	38	0	N	6.87
W	8-Jan	12	0.38	24	sunny	38	0	S	6.87
W	8-Jan	12	0.38	24	sunny	38	0	W	6.87
W	8-Jan	12	0.38	24	sunny	38	0	E	6.87
W	8-Jan	12	0.38	24	sunny	38	30	N	6.7
W	8-Jan	12	0.38	24	sunny	38	30	S	6.53
W	8-Jan	12	0.38	24	sunny	38	30	W	6.43
W	8-Jan	12	0.38	24	sunny	38	30	E	6.58
W	8-Jan	12	0.38	24	sunny	38	45	N	6.57
W	8-Jan	12	0.38	24	sunny	38	45	S	6.45
W	8-Jan	12	0.38	24	sunny	38	45	W	6.34
W	8-Jan	12	0.38	24	sunny	38	45	E	6.52
W	8-Jan	12	0.38	24	sunny	38	60	N	6.48
W	8-Jan	12	0.38	24	sunny	38	60	S	6.17
W	8-Jan	12	0.38	24	sunny	38	60	W	6.19
W	8-Jan	12	0.38	24	sunny	38	60	E	6.45
W	8-Jan	12	0.38	24	sunny	38	90	N	6.1
W	8-Jan	12	0.38	24	sunny	38	90	S	5.86
W	8-Jan	12	0.38	24	sunny	38	90	W	5.79
W	8-Jan	12	0.38	24	sunny	38	90	E	6.09
W	8-Jan	17	0.25	24	sunny	35	0	N	6.69
W	8-Jan	17	0.25	24	sunny	35	0	S	6.69
W	8-Jan	17	0.25	24	sunny	35	0	W	6.69
W	8-Jan	17	0.25	24	sunny	35	0	E	6.69
W	8-Jan	17	0.25	24	sunny	35	30	N	6.62
W	8-Jan	17	0.25	24	sunny	35	30	S	6.42

W	8-Jan	17	0.25	24	sunny	35	30	W	6.65
W	8-Jan	17	0.25	24	sunny	35	30	E	5.58
W	8-Jan	17	0.25	24	sunny	35	45	N	6.59
W	8-Jan	17	0.25	24	sunny	35	45	S	6.36
W	8-Jan	17	0.25	24	sunny	35	45	W	6.63
W	8-Jan	17	0.25	24	sunny	35	45	E	5.32
W	8-Jan	17	0.25	24	sunny	35	60	N	6.56
W	8-Jan	17	0.25	24	sunny	35	60	S	6.18
W	8-Jan	17	0.25	24	sunny	35	60	W	6.60
W	8-Jan	17	0.25	24	sunny	35	60	E	5.33
W	8-Jan	17	0.25	24	sunny	35	90	N	6.14
W	8-Jan	17	0.25	24	sunny	35	90	S	5.85
W	8-Jan	17	0.25	24	sunny	35	90	W	6.55
W	8-Jan	17	0.25	24	sunny	35	90	E	5.47
W	9-Jan	9	0.53	19	mostly sunny	28	0	N	6.94
W	9-Jan	9	0.53	19	mostly sunny	28	0	S	6.94
W	9-Jan	9	0.53	19	mostly sunny	28	0	W	6.94
W	9-Jan	9	0.53	19	mostly sunny	28	0	E	6.94
W	9-Jan	9	0.53	19	mostly sunny	28	30	N	6.09
W	9-Jan	9	0.53	19	mostly sunny	28	30	S	6.55
W	9-Jan	9	0.53	19	mostly sunny	28	30	W	5.66
W	9-Jan	9	0.53	19	mostly sunny	28	30	E	6.95
W	9-Jan	9	0.53	19	mostly sunny	28	45	N	6.12
W	9-Jan	9	0.53	19	mostly sunny	28	45	S	5.63
W	9-Jan	9	0.53	19	mostly sunny	28	45	W	5.80
W	9-Jan	9	0.53	19	mostly sunny	28	45	E	6.96
W	9-Jan	9	0.53	19	mostly sunny	28	60	N	6.27
W	9-Jan	9	0.53	19	mostly sunny	28	60	S	6.59
W	9-Jan	9	0.53	19	mostly sunny	28	60	W	5.73

W	9-Jan	9	0.53	19	mostly sunny	28	60	E	6.82
W	9-Jan	9	0.53	19	mostly sunny	28	90	N	6.31
W	9-Jan	9	0.53	19	mostly sunny	28	90	S	6.43
W	9-Jan	9	0.53	19	mostly sunny	28	90	W	5.42
W	9-Jan	9	0.53	19	mostly sunny	28	90	E	6.72
W	9-Jan	12	0.44	18	sunny	32	0	N	7.00
W	9-Jan	12	0.44	18	sunny	32	0	S	7.00
W	9-Jan	12	0.44	18	sunny	32	0	W	7.00
W	9-Jan	12	0.44	18	sunny	32	0	E	7.00
W	9-Jan	12	0.44	18	sunny	32	30	N	6.94
W	9-Jan	12	0.44	18	sunny	32	30	S	6.69
W	9-Jan	12	0.44	18	sunny	32	30	W	6.61
W	9-Jan	12	0.44	18	sunny	32	30	E	6.79
W	9-Jan	12	0.44	18	sunny	32	45	N	6.90
W	9-Jan	12	0.44	18	sunny	32	45	S	6.56
W	9-Jan	12	0.44	18	sunny	32	45	W	6.34
W	9-Jan	12	0.44	18	sunny	32	45	E	6.74
W	9-Jan	12	0.44	18	sunny	32	60	N	6.82
W	9-Jan	12	0.44	18	sunny	32	60	S	6.46
W	9-Jan	12	0.44	18	sunny	32	60	W	6.35
W	9-Jan	12	0.44	18	sunny	32	60	E	6.71
W	9-Jan	12	0.44	18	sunny	32	90	N	6.36
W	9-Jan	12	0.44	18	sunny	32	90	S	6.13
W	9-Jan	12	0.44	18	sunny	32	90	W	5.94
W	9-Jan	12	0.44	18	sunny	32	90	E	6.49
W	9-Jan	17	0.42	26	sunny	31	0	N	6.98
W	9-Jan	17	0.42	26	sunny	31	0	S	6.98
W	9-Jan	17	0.42	26	sunny	31	0	W	6.98
W	9-Jan	17	0.42	26	sunny	31	0	E	6.98

W	9-Jan	17	0.42	26	sunny	31	30	N	6.87
W	9-Jan	17	0.42	26	sunny	31	30	S	6.73
W	9-Jan	17	0.42	26	sunny	31	30	W	6.90
W	9-Jan	17	0.42	26	sunny	31	30	E	6.06
W	9-Jan	17	0.42	26	sunny	31	45	N	6.78
W	9-Jan	17	0.42	26	sunny	31	45	S	6.66
W	9-Jan	17	0.42	26	sunny	31	45	W	6.90
W	9-Jan	17	0.42	26	sunny	31	45	E	5.54
W	9-Jan	17	0.42	26	sunny	31	60	N	6.67
W	9-Jan	17	0.42	26	sunny	31	60	S	6.56
W	9-Jan	17	0.42	26	sunny	31	60	W	6.85
W	9-Jan	17	0.42	26	sunny	31	60	E	5.60
W	9-Jan	17	0.42	26	sunny	31	90	N	6.39
W	9-Jan	17	0.42	26	sunny	31	90	S	6.12
W	9-Jan	17	0.42	26	sunny	31	90	W	6.78
W	9-Jan	17	0.42	26	sunny	31	90	E	5.66
W	10-Jan	9	0.62	11	sunny	26	0	N	6.34
W	10-Jan	9	0.62	11	sunny	26	0	S	6.34
W	10-Jan	9	0.62	11	sunny	26	0	W	6.34
W	10-Jan	9	0.62	11	sunny	26	0	E	6.34
W	10-Jan	9	0.62	11	sunny	26	30	N	6.98
W	10-Jan	9	0.62	11	sunny	26	30	S	6.98
W	10-Jan	9	0.62	11	sunny	26	30	W	5.69
W	10-Jan	9	0.62	11	sunny	26	30	E	6.94
W	10-Jan	9	0.62	11	sunny	26	45	N	6.78
W	10-Jan	9	0.62	11	sunny	26	45	S	6.91
W	10-Jan	9	0.62	11	sunny	26	45	W	5.66
W	10-Jan	9	0.62	11	sunny	26	45	E	6.96
W	10-Jan	9	0.62	11	sunny	26	60	N	6.49

W	10-Jan	9	0.62	11	sunny	26	60	S	6.86
W	10-Jan	9	0.62	11	sunny	26	60	W	5.86
W	10-Jan	9	0.62	11	sunny	26	60	E	6.92
W	10-Jan	9	0.62	11	sunny	26	90	N	6.32
W	10-Jan	9	0.62	11	sunny	26	90	S	6.59
W	10-Jan	9	0.62	11	sunny	26	90	W	5.94
W	10-Jan	9	0.62	11	sunny	26	90	E	6.88
W	10-Jan	12	0.44	18	sunny	32	0	N	7.18
W	10-Jan	12	0.44	18	sunny	32	0	S	7.18
W	10-Jan	12	0.44	18	sunny	32	0	W	7.18
W	10-Jan	12	0.44	18	sunny	32	0	E	7.18
W	10-Jan	12	0.44	18	sunny	32	30	N	7.05
W	10-Jan	12	0.44	18	sunny	32	30	S	6.83
W	10-Jan	12	0.44	18	sunny	32	30	W	6.71
W	10-Jan	12	0.44	18	sunny	32	30	E	6.79
W	10-Jan	12	0.44	18	sunny	32	45	N	7.00
W	10-Jan	12	0.44	18	sunny	32	45	S	6.73
W	10-Jan	12	0.44	18	sunny	32	45	W	6.61
W	10-Jan	12	0.44	18	sunny	32	45	E	6.74
W	10-Jan	12	0.44	18	sunny	32	60	N	6.88
W	10-Jan	12	0.44	18	sunny	32	60	S	6.52
W	10-Jan	12	0.44	18	sunny	32	60	W	6.31
W	10-Jan	12	0.44	18	sunny	32	60	E	6.64
W	10-Jan	12	0.44	18	sunny	32	90	N	6.56
W	10-Jan	12	0.44	18	sunny	32	90	S	6.06
W	10-Jan	12	0.44	18	sunny	32	90	W	6.02
W	10-Jan	12	0.44	18	sunny	32	90	E	6.41
W	10-Jan	17	0.42	26	sunny	31	0	N	6.95
W	10-Jan	17	0.42	26	sunny	31	0	S	6.95

W	10-Jan	17	0.42	26	sunny	31	0	W	6.95
W	10-Jan	17	0.42	26	sunny	31	0	E	6.95
W	10-Jan	17	0.42	26	sunny	31	30	N	6.92
W	10-Jan	17	0.42	26	sunny	31	30	S	6.72
W	10-Jan	17	0.42	26	sunny	31	30	W	6.85
W	10-Jan	17	0.42	26	sunny	31	30	E	6.08
W	10-Jan	17	0.42	26	sunny	31	45	N	6.90
W	10-Jan	17	0.42	26	sunny	31	45	S	6.52
W	10-Jan	17	0.42	26	sunny	31	45	W	6.87
W	10-Jan	17	0.42	26	sunny	31	45	E	5.53
W	10-Jan	17	0.42	26	sunny	31	60	N	6.80
W	10-Jan	17	0.42	26	sunny	31	60	S	6.37
W	10-Jan	17	0.42	26	sunny	31	60	W	6.86
W	10-Jan	17	0.42	26	sunny	31	60	E	5.51
W	10-Jan	17	0.42	26	sunny	31	90	N	6.44
W	10-Jan	17	0.42	26	sunny	31	90	S	6.02
W	10-Jan	17	0.42	26	sunny	31	90	W	6.78
W	10-Jan	17	0.42	26	sunny	31	90	E	5.58
W	11-Jan	9	0.41	6	sunny	25	0	N	6.94
W	11-Jan	9	0.41	6	sunny	25	0	S	6.94
W	11-Jan	9	0.41	6	sunny	25	0	W	6.94
W	11-Jan	9	0.41	6	sunny	25	0	E	6.94
W	11-Jan	9	0.41	6	sunny	25	30	N	6.82
W	11-Jan	9	0.41	6	sunny	25	30	S	6.86
W	11-Jan	9	0.41	6	sunny	25	30	W	5.65
W	11-Jan	9	0.41	6	sunny	25	30	E	6.94
W	11-Jan	9	0.41	6	sunny	25	45	N	6.86
W	11-Jan	9	0.41	6	sunny	25	45	S	6.90
W	11-Jan	9	0.41	6	sunny	25	45	W	5.75

W	11-Jan	9	0.41	6	sunny	25	45	E	6.96
W	11-Jan	9	0.41	6	sunny	25	60	N	6.19
W	11-Jan	9	0.41	6	sunny	25	60	S	6.60
W	11-Jan	9	0.41	6	sunny	25	60	W	5.81
W	11-Jan	9	0.41	6	sunny	25	60	E	6.98
W	11-Jan	9	0.41	6	sunny	25	90	N	6.27
W	11-Jan	9	0.41	6	sunny	25	90	S	6.17
W	11-Jan	9	0.41	6	sunny	25	90	W	5.80
W	11-Jan	9	0.41	6	sunny	25	90	E	6.93
W	11-Jan	12	0.44	14	sunny	31	0	N	7.19
W	11-Jan	12	0.44	14	sunny	31	0	S	7.19
W	11-Jan	12	0.44	14	sunny	31	0	W	7.19
W	11-Jan	12	0.44	14	sunny	31	0	E	7.19
W	11-Jan	12	0.44	14	sunny	31	30	N	7.05
W	11-Jan	12	0.44	14	sunny	31	30	S	6.84
W	11-Jan	12	0.44	14	sunny	31	30	W	6.79
W	11-Jan	12	0.44	14	sunny	31	30	E	6.86
W	11-Jan	12	0.44	14	sunny	31	45	N	6.96
W	11-Jan	12	0.44	14	sunny	31	45	S	6.68
W	11-Jan	12	0.44	14	sunny	31	45	W	6.63
W	11-Jan	12	0.44	14	sunny	31	45	E	6.83
W	11-Jan	12	0.44	14	sunny	31	60	N	6.88
W	11-Jan	12	0.44	14	sunny	31	60	S	6.62
W	11-Jan	12	0.44	14	sunny	31	60	W	6.35
W	11-Jan	12	0.44	14	sunny	31	60	E	6.75
W	11-Jan	12	0.44	14	sunny	31	90	N	6.53
W	11-Jan	12	0.44	14	sunny	31	90	S	6.33
W	11-Jan	12	0.44	14	sunny	31	90	W	6.15
W	11-Jan	12	0.44	14	sunny	31	90	E	6.51

W	11-Jan	17	0.36	21	sunny	31	0	N	6.67
W	11-Jan	17	0.36	21	sunny	31	0	S	6.67
W	11-Jan	17	0.36	21	sunny	31	0	W	6.67
W	11-Jan	17	0.36	21	sunny	31	0	E	6.67
W	11-Jan	17	0.36	21	sunny	31	30	N	6.77
W	11-Jan	17	0.36	21	sunny	31	30	S	6.51
W	11-Jan	17	0.36	21	sunny	31	30	W	6.75
W	11-Jan	17	0.36	21	sunny	31	30	E	5.87
W	11-Jan	17	0.36	21	sunny	31	45	N	6.70
W	11-Jan	17	0.36	21	sunny	31	45	S	6.39
W	11-Jan	17	0.36	21	sunny	31	45	W	6.76
W	11-Jan	17	0.36	21	sunny	31	45	E	5.45
W	11-Jan	17	0.36	21	sunny	31	60	N	6.63
W	11-Jan	17	0.36	21	sunny	31	60	S	6.11
W	11-Jan	17	0.36	21	sunny	31	60	W	6.74
W	11-Jan	17	0.36	21	sunny	31	60	E	5.51
W	11-Jan	17	0.36	21	sunny	31	90	N	6.34
W	11-Jan	17	0.36	21	sunny	31	90	S	5.97
W	11-Jan	17	0.36	21	sunny	31	90	W	6.68
W	11-Jan	17	0.36	21	sunny	31	90	E	5.54
W	12-Jan	9	0.40	8	sunny with scattered cloud	26	0	N	5.72
W	12-Jan	9	0.40	8	sunny with scattered cloud	26	0	S	5.72
W	12-Jan	9	0.40	8	sunny with scattered cloud	26	0	W	5.72
W	12-Jan	9	0.40	8	sunny with scattered cloud	26	0	E	5.72
W	12-Jan	9	0.40	8	sunny with scattered cloud	26	30	N	5.82
W	12-Jan	9	0.40	8	sunny with scattered cloud	26	30	S	2.23
W	12-Jan	9	0.40	8	sunny with scattered cloud	26	30	W	2.12
W	12-Jan	9	0.40	8	sunny with scattered cloud	26	30	E	7.17
W	12-Jan	9	0.40	8	sunny with scattered cloud	26	45	N	5.62

W	12-Jan	9	0.40	8	sunny with scattered cloud	26	45	S	2.07
W	12-Jan	9	0.40	8	sunny with scattered cloud	26	45	W	2.44
W	12-Jan	9	0.40	8	sunny with scattered cloud	26	45	E	7.14
W	12-Jan	9	0.40	8	sunny with scattered cloud	26	60	N	5.36
W	12-Jan	9	0.40	8	sunny with scattered cloud	26	60	S	1.37
W	12-Jan	9	0.40	8	sunny with scattered cloud	26	60	W	2.58
W	12-Jan	9	0.40	8	sunny with scattered cloud	26	60	E	7.02
W	12-Jan	9	0.40	8	sunny with scattered cloud	26	90	N	3.68
W	12-Jan	9	0.40	8	sunny with scattered cloud	26	90	S	1.00
W	12-Jan	9	0.40	8	sunny with scattered cloud	26	90	W	5.38
W	12-Jan	9	0.40	8	sunny with scattered cloud	26	90	E	6.98
W	12-Jan	12	0.39	14	sunny	31	0	N	7.07
W	12-Jan	12	0.39	14	sunny	31	0	S	7.07
W	12-Jan	12	0.39	14	sunny	31	0	W	7.07
W	12-Jan	12	0.39	14	sunny	31	0	E	7.07
W	12-Jan	12	0.39	14	sunny	31	30	N	7.05
W	12-Jan	12	0.39	14	sunny	31	30	S	6.88
W	12-Jan	12	0.39	14	sunny	31	30	W	6.80
W	12-Jan	12	0.39	14	sunny	31	30	E	6.88
W	12-Jan	12	0.39	14	sunny	31	45	N	7.00
W	12-Jan	12	0.39	14	sunny	31	45	S	6.72
W	12-Jan	12	0.39	14	sunny	31	45	W	6.65
W	12-Jan	12	0.39	14	sunny	31	45	E	6.84
W	12-Jan	12	0.39	14	sunny	31	60	N	6.89
W	12-Jan	12	0.39	14	sunny	31	60	S	6.58
W	12-Jan	12	0.39	14	sunny	31	60	W	6.43
W	12-Jan	12	0.39	14	sunny	31	60	E	6.79
W	12-Jan	12	0.39	14	sunny	31	90	N	6.53
W	12-Jan	12	0.39	14	sunny	31	90	S	6.25

W	12-Jan	12	0.39	14	sunny	31	90	W	6.15
W	12-Jan	12	0.39	14	sunny	31	90	E	6.48
W	12-Jan	17	0.44	26	sunny	32	0	N	6.83
W	12-Jan	17	0.44	26	sunny	32	0	S	6.83
W	12-Jan	17	0.44	26	sunny	32	0	W	6.83
W	12-Jan	17	0.44	26	sunny	32	0	E	6.83
W	12-Jan	17	0.44	26	sunny	32	30	N	6.81
W	12-Jan	17	0.44	26	sunny	32	30	S	6.56
W	12-Jan	17	0.44	26	sunny	32	30	W	6.80
W	12-Jan	17	0.44	26	sunny	32	30	E	6.13
W	12-Jan	17	0.44	26	sunny	32	45	N	6.80
W	12-Jan	17	0.44	26	sunny	32	45	S	6.50
W	12-Jan	17	0.44	26	sunny	32	45	W	6.81
W	12-Jan	17	0.44	26	sunny	32	45	E	5.43
W	12-Jan	17	0.44	26	sunny	32	60	N	6.64
W	12-Jan	17	0.44	26	sunny	32	60	S	6.37
W	12-Jan	17	0.44	26	sunny	32	60	W	6.80
W	12-Jan	17	0.44	26	sunny	32	60	E	5.53
W	12-Jan	17	0.44	26	sunny	32	90	N	6.30
W	12-Jan	17	0.44	26	sunny	32	90	S	6.01
W	12-Jan	17	0.44	26	sunny	32	90	W	6.69
W	12-Jan	17	0.44	26	sunny	32	90	E	5.57
W	13-Jan	9	0.43	3	sunny	28	0	N	7.04
W	13-Jan	9	0.43	3	sunny	28	0	S	7.04
W	13-Jan	9	0.43	3	sunny	28	0	W	7.04
W	13-Jan	9	0.43	3	sunny	28	0	E	7.04
W	13-Jan	9	0.43	3	sunny	28	30	N	6.95
W	13-Jan	9	0.43	3	sunny	28	30	S	7.03
W	13-Jan	9	0.43	3	sunny	28	30	W	5.62

W	13-Jan	9	0.43	3	sunny	28	30	E	7.01
W	13-Jan	9	0.43	3	sunny	28	45	N	6.74
W	13-Jan	9	0.43	3	sunny	28	45	S	7.05
W	13-Jan	9	0.43	3	sunny	28	45	W	5.77
W	13-Jan	9	0.43	3	sunny	28	45	E	7.03
W	13-Jan	9	0.43	3	sunny	28	60	N	6.50
W	13-Jan	9	0.43	3	sunny	28	60	S	7.03
W	13-Jan	9	0.43	3	sunny	28	60	W	5.80
W	13-Jan	9	0.43	3	sunny	28	60	E	7.02
W	13-Jan	9	0.43	3	sunny	28	90	N	6.37
W	13-Jan	9	0.43	3	sunny	28	90	S	6.82
W	13-Jan	9	0.43	3	sunny	28	90	W	5.78
W	13-Jan	9	0.43	3	sunny	28	90	E	6.96
W	13-Jan	12	0.37	14	sunny	33	0	N	7.11
W	13-Jan	12	0.37	14	sunny	33	0	S	7.11
W	13-Jan	12	0.37	14	sunny	33	0	W	7.11
W	13-Jan	12	0.37	14	sunny	33	0	E	7.11
W	13-Jan	12	0.37	14	sunny	33	30	N	6.99
W	13-Jan	12	0.37	14	sunny	33	30	S	6.82
W	13-Jan	12	0.37	14	sunny	33	30	W	6.68
W	13-Jan	12	0.37	14	sunny	33	30	E	6.83
W	13-Jan	12	0.37	14	sunny	33	45	N	6.87
W	13-Jan	12	0.37	14	sunny	33	45	S	6.65
W	13-Jan	12	0.37	14	sunny	33	45	W	6.44
W	13-Jan	12	0.37	14	sunny	33	45	E	6.79
W	13-Jan	12	0.37	14	sunny	33	60	N	6.78
W	13-Jan	12	0.37	14	sunny	33	60	S	6.54
W	13-Jan	12	0.37	14	sunny	33	60	W	6.18
W	13-Jan	12	0.37	14	sunny	33	60	E	6.73

W	13-Jan	12	0.37	14	sunny	33	90	N	6.21
W	13-Jan	12	0.37	14	sunny	33	90	S	6.19
W	13-Jan	12	0.37	14	sunny	33	90	W	6.08
W	13-Jan	12	0.37	14	sunny	33	90	E	6.50
W	13-Jan	17	0.37		sunny	34	0	N	6.92
W	13-Jan	17	0.37		sunny	34	0	S	6.92
W	13-Jan	17	0.37		sunny	34	0	W	6.92
W	13-Jan	17	0.37		sunny	34	0	E	6.92
W	13-Jan	17	0.37		sunny	34	30	N	6.91
W	13-Jan	17	0.37		sunny	34	30	S	6.78
W	13-Jan	17	0.37		sunny	34	30	W	6.90
W	13-Jan	17	0.37		sunny	34	30	E	6.21
W	13-Jan	17	0.37		sunny	34	45	N	6.79
W	13-Jan	17	0.37		sunny	34	45	S	6.68
W	13-Jan	17	0.37		sunny	34	45	W	6.91
W	13-Jan	17	0.37		sunny	34	45	E	5.61
W	13-Jan	17	0.37		sunny	34	60	N	6.79
W	13-Jan	17	0.37		sunny	34	60	S	6.46
W	13-Jan	17	0.37		sunny	34	60	W	6.89
W	13-Jan	17	0.37		sunny	34	60	E	5.71
W	13-Jan	17	0.37		sunny	34	90	N	6.30
W	13-Jan	17	0.37		sunny	34	90	S	6.13
W	13-Jan	17	0.37		sunny	34	90	W	6.81
W	13-Jan	17	0.37		sunny	34	90	E	5.71
W	14-Jan	9	0.20	21	sunny with clouds	35	0	N	6.63
W	14-Jan	9	0.20	21	sunny with clouds	35	0	S	6.71
W	14-Jan	9	0.20	21	sunny with clouds	35	0	W	5.55
W	14-Jan	9	0.20	21	sunny with clouds	35	0	E	6.85
W	14-Jan	9	0.20	21	sunny with clouds	35	30	N	6.36

W	14-Jan	9	0.20	21	sunny with clouds	35	30	S	6.68
W	14-Jan	9	0.20	21	sunny with clouds	35	30	W	5.60
W	14-Jan	9	0.20	21	sunny with clouds	35	30	E	6.88
W	14-Jan	9	0.20	21	sunny with clouds	35	45	N	6.23
W	14-Jan	9	0.20	21	sunny with clouds	35	45	S	6.54
W	14-Jan	9	0.20	21	sunny with clouds	35	45	W	5.69
W	14-Jan	9	0.20	21	sunny with clouds	35	45	E	6.89
W	14-Jan	9	0.20	21	sunny with clouds	35	60	N	6.17
W	14-Jan	9	0.20	21	sunny with clouds	35	60	S	6.05
W	14-Jan	9	0.20	21	sunny with clouds	35	60	W	5.80
W	14-Jan	9	0.20	21	sunny with clouds	35	60	E	6.85
W	14-Jan	9	0.20	21	sunny with clouds	35	90	N	5.96
W	14-Jan	9	0.20	21	sunny with clouds	35	90	S	5.71
W	14-Jan	9	0.20	21	sunny with clouds	35	90	W	5.46
W	14-Jan	9	0.20	21	sunny with clouds	35	90	E	5.89
W	14-Jan	12	0.20	21	partly cloudy	34	0	N	5.89
W	14-Jan	12	0.20	21	partly cloudy	34	0	S	5.48
W	14-Jan	12	0.20	21	partly cloudy	34	0	W	5.20
W	14-Jan	12	0.20	21	partly cloudy	34	0	E	5.79
W	14-Jan	12	0.20	21	partly cloudy	34	30	N	5.82
W	14-Jan	12	0.20	21	partly cloudy	34	30	S	4.75
W	14-Jan	12	0.20	21	partly cloudy	34	30	W	4.84
W	14-Jan	12	0.20	21	partly cloudy	34	30	E	5.75
W	14-Jan	12	0.20	21	partly cloudy	34	45	N	5.38
W	14-Jan	12	0.20	21	partly cloudy	34	45	S	3.66
W	14-Jan	12	0.20	21	partly cloudy	34	45	W	3.56
W	14-Jan	12	0.20	21	partly cloudy	34	45	E	5.53
W	14-Jan	12	0.20	21	partly cloudy	34	60	N	
W	14-Jan	12	0.20	21	partly cloudy	34	60	S	

W	14-Jan	12	0.20	21	partly cloudy	34	60	W	
W	14-Jan	12	0.20	21	partly cloudy	34	60	E	
W	14-Jan	12	0.20	21	partly cloudy	34	90	N	
W	14-Jan	12	0.20	21	partly cloudy	34	90	S	
W	14-Jan	12	0.20	21	partly cloudy	34	90	W	
W	14-Jan	12	0.20	21	partly cloudy	34	90	E	
W	14-Jan	17	0.20	21	partly cloudy	34	0	N	
W	14-Jan	17	0.20	21	partly cloudy	34	0	S	
W	14-Jan	17	0.20	21	partly cloudy	34	0	W	
W	14-Jan	17	0.20	21	partly cloudy	34	0	E	
W	14-Jan	17	0.20	21	partly cloudy	34	30	N	
W	14-Jan	17	0.20	21	partly cloudy	34	30	S	
W	14-Jan	17	0.20	21	partly cloudy	34	30	W	
W	14-Jan	17	0.20	21	partly cloudy	34	30	E	
W	14-Jan	17	0.20	21	partly cloudy	34	45	N	
W	14-Jan	17	0.20	21	partly cloudy	34	45	S	
W	14-Jan	17	0.20	21	partly cloudy	34	45	W	
W	14-Jan	17	0.20	21	partly cloudy	34	45	E	
W	14-Jan	17	0.20	21	partly cloudy	34	60	N	
W	14-Jan	17	0.20	21	partly cloudy	34	60	S	
W	14-Jan	17	0.20	21	partly cloudy	34	60	W	
W	14-Jan	17	0.20	21	partly cloudy	34	60	E	
W	14-Jan	17	0.20	21	partly cloudy	34	90	N	
W	14-Jan	17	0.20	21	partly cloudy	34	90	S	
W	14-Jan	17	0.20	21	partly cloudy	34	90	W	
W	14-Jan	17	0.20	21	partly cloudy	34	90	E	
W	15-Jan	9	0.39	10	partly cloudy	25	0	N	6.16
W	15-Jan	9	0.39	10	partly cloudy	25	0	S	6.16
W	15-Jan	9	0.39	10	partly cloudy	25	0	W	6.16

W	15-Jan	9	0.39	10	partly cloudy	25	0	E	6.16
W	15-Jan	9	0.39	10	partly cloudy	25	30	N	6.05
W	15-Jan	9	0.39	10	partly cloudy	25	30	S	5.98
W	15-Jan	9	0.39	10	partly cloudy	25	30	W	4.42
W	15-Jan	9	0.39	10	partly cloudy	25	30	E	6.35
W	15-Jan	9	0.39	10	partly cloudy	25	45	N	5.90
W	15-Jan	9	0.39	10	partly cloudy	25	45	S	6.03
W	15-Jan	9	0.39	10	partly cloudy	25	45	W	2.47
W	15-Jan	9	0.39	10	partly cloudy	25	45	E	6.19
W	15-Jan	9	0.39	10	partly cloudy	25	60	N	
W	15-Jan	9	0.39	10	partly cloudy	25	60	S	
W	15-Jan	9	0.39	10	partly cloudy	25	60	W	
W	15-Jan	9	0.39	10	partly cloudy	25	60	E	
W	15-Jan	12	0.46	14	partly cloudy	32	0	N	7.08
W	15-Jan	12	0.46	14	partly cloudy	32	0	S	7.08
W	15-Jan	12	0.46	14	partly cloudy	32	0	W	7.08
W	15-Jan	12	0.46	14	partly cloudy	32	0	E	7.08
W	15-Jan	12	0.46	14	partly cloudy	32	30	N	6.97
W	15-Jan	12	0.46	14	partly cloudy	32	30	S	6.54
W	15-Jan	12	0.46	14	partly cloudy	32	30	W	6.63
W	15-Jan	12	0.46	14	partly cloudy	32	30	E	6.73
W	15-Jan	12	0.46	14	partly cloudy	32	45	N	6.87
W	15-Jan	12	0.46	14	partly cloudy	32	45	S	6.47
W	15-Jan	12	0.46	14	partly cloudy	32	45	W	6.38
W	15-Jan	12	0.46	14	partly cloudy	32	45	E	6.69
W	15-Jan	12	0.46	14	partly cloudy	32	60	N	
W	15-Jan	12	0.46	14	partly cloudy	32	60	S	
W	15-Jan	12	0.46	14	partly cloudy	32	60	W	
W	15-Jan	12	0.46	14	partly cloudy	32	60	E	

W	15-Jan	15	0.28	19	sunny	33	0	N	6.81
W	15-Jan	15	0.28	19	sunny	33	0	S	6.81
W	15-Jan	15	0.28	19	sunny	33	0	W	6.81
W	15-Jan	15	0.28	19	sunny	33	0	E	6.81
W	15-Jan	15	0.28	19	sunny	33	30	N	6.81
W	15-Jan	15	0.28	19	sunny	33	30	S	6.63
W	15-Jan	15	0.28	19	sunny	33	30	W	6.81
W	15-Jan	15	0.28	19	sunny	33	30	E	5.52
W	15-Jan	15	0.28	19	sunny	33	45	N	6.73
W	15-Jan	15	0.28	19	sunny	33	45	S	6.57
W	15-Jan	15	0.28	19	sunny	33	45	W	6.81
W	15-Jan	15	0.28	19	sunny	33	45	E	5.32
W	15-Jan	15	0.28	19	sunny	33	60	N	
W	15-Jan	15	0.28	19	sunny	33	60	S	
W	15-Jan	15	0.28	19	sunny	33	60	W	
W	15-Jan	15	0.28	19	sunny	33	60	E	
W	16-Jan	9	0.35	31	partly cloudy	33	0	N	6.70
W	16-Jan	9	0.35	31	partly cloudy	33	0	S	6.70
W	16-Jan	9	0.35	31	partly cloudy	33	0	W	6.70
W	16-Jan	9	0.35	31	partly cloudy	33	0	E	6.70
W	16-Jan	9	0.35	31	partly cloudy	33	30	N	6.58
W	16-Jan	9	0.35	31	partly cloudy	33	30	S	6.76
W	16-Jan	9	0.35	31	partly cloudy	33	30	W	5.69
W	16-Jan	9	0.35	31	partly cloudy	33	30	E	6.83
W	16-Jan	9	0.35	31	partly cloudy	33	45	N	6.35
W	16-Jan	9	0.35	31	partly cloudy	33	45	S	6.67
W	16-Jan	9	0.35	31	partly cloudy	33	45	W	5.63
W	16-Jan	9	0.35	31	partly cloudy	33	45	E	6.86
W	16-Jan	9	0.35	31	partly cloudy	33	60	N	6.51

W	16-Jan	9	0.35	31	partly cloudy	33	60	S	6.25
W	16-Jan	9	0.35	31	partly cloudy	33	60	W	5.39
W	16-Jan	9	0.35	31	partly cloudy	33	60	E	6.61
W	16-Jan	12				29	0	N	6.35
W	16-Jan	12				29	0	S	6.35
W	16-Jan	12				29	0	W	6.35
W	16-Jan	12				29	0	E	6.35
W	16-Jan	12				29	30	N	6.42
W	16-Jan	12				29	30	S	6.31
W	16-Jan	12				29	30	W	6.20
W	16-Jan	12				29	30	E	6.34
W	16-Jan	12				29	45	N	6.25
W	16-Jan	12				29	45	S	6.04
W	16-Jan	12				29	45	W	5.99
W	16-Jan	12				29	45	E	6.29
W	16-Jan	12				29	60	N	6.15
W	16-Jan	12				29	60	S	6.04
W	16-Jan	12				29	60	W	5.90
W	16-Jan	12				29	60	E	6.45
W	16-Jan	15	0.86	16	light rain shower	28	0	N	5.62
W	16-Jan	15	0.86	16	light rain shower	28	0	S	5.62
W	16-Jan	15	0.86	16	light rain shower	28	0	W	5.62
W	16-Jan	15	0.86	16	light rain shower	28	0	E	5.62
W	16-Jan	15	0.86	16	light rain shower	28	30	N	5.80
W	16-Jan	15	0.86	16	light rain shower	28	30	S	5.18
W	16-Jan	15	0.86	16	light rain shower	28	30	W	5.59
W	16-Jan	15	0.86	16	light rain shower	28	30	E	5.34
W	16-Jan	15	0.86	16	light rain shower	28	45	N	5.87
W	16-Jan	15	0.86	16	light rain shower	28	45	S	3.40

W	16-Jan	15	0.86	16	light rain shower	28	45	W	5.45
W	16-Jan	15	0.86	16	light rain shower	28	45	E	4.19
W	16-Jan	15	0.86	16	light rain shower	28	60	N	5.75
W	16-Jan	15	0.86	16	light rain shower	28	60	S	2.27
W	16-Jan	15	0.86	16	light rain shower	28	60	W	5.32
W	16-Jan	15	0.86	16	light rain shower	28	60	E	4.02
W	17-Jan	9	0.35	31	partly cloudy	33	0	N	6.70
W	17-Jan	9	0.35	31	partly cloudy	33	0	S	6.70
W	17-Jan	9	0.35	31	partly cloudy	33	0	W	6.70
W	17-Jan	9	0.35	31	partly cloudy	33	0	E	6.70
W	17-Jan	9	0.35	31	partly cloudy	33	30	N	6.58
W	17-Jan	9	0.35	31	partly cloudy	33	30	S	6.76
W	17-Jan	9	0.35	31	partly cloudy	33	30	W	5.69
W	17-Jan	9	0.35	31	partly cloudy	33	30	E	6.83
W	17-Jan	9	0.35	31	partly cloudy	33	45	N	6.35
W	17-Jan	9	0.35	31	partly cloudy	33	45	S	6.67
W	17-Jan	9	0.35	31	partly cloudy	33	45	W	5.63
W	17-Jan	9	0.35	31	partly cloudy	33	45	E	6.86
W	17-Jan	9	0.35	31	partly cloudy	33	60	N	6.51
W	17-Jan	9	0.35	31	partly cloudy	33	60	S	6.25
W	17-Jan	9	0.35	31	partly cloudy	33	60	W	5.39
W	17-Jan	9	0.35	31	partly cloudy	33	60	E	6.61
W	17-Jan	12				29	0	N	6.35
W	17-Jan	12				29	0	S	6.35
W	17-Jan	12				29	0	W	6.35
W	17-Jan	12				29	0	E	6.35
W	17-Jan	12				29	30	N	6.42
W	17-Jan	12				29	30	S	6.31
W	17-Jan	12				29	30	W	6.20

W	17-Jan	12				29	30	E	6.34
W	17-Jan	12				29	45	N	6.25
W	17-Jan	12				29	45	S	6.04
W	17-Jan	12				29	45	W	5.99
W	17-Jan	12				29	45	E	6.29
W	17-Jan	12				29	60	N	6.15
W	17-Jan	12				29	60	S	6.04
W	17-Jan	12				29	60	W	5.90
W	17-Jan	12				29	60	E	6.45
W	17-Jan	15	0.86	16	light rain shower	28	0	N	5.62
W	17-Jan	15	0.86	16	light rain shower	28	0	S	5.62
W	17-Jan	15	0.86	16	light rain shower	28	0	W	5.62
W	17-Jan	15	0.86	16	light rain shower	28	0	E	5.62
W	17-Jan	15	0.86	16	light rain shower	28	30	N	5.80
W	17-Jan	15	0.86	16	light rain shower	28	30	S	5.18
W	17-Jan	15	0.86	16	light rain shower	28	30	W	5.59
W	17-Jan	15	0.86	16	light rain shower	28	30	E	5.34
W	17-Jan	15	0.86	16	light rain shower	28	45	N	5.87
W	17-Jan	15	0.86	16	light rain shower	28	45	S	3.40
W	17-Jan	15	0.86	16	light rain shower	28	45	W	5.45
W	17-Jan	15	0.86	16	light rain shower	28	45	E	4.19
W	17-Jan	15	0.86	16	light rain shower	28	60	N	5.75
W	17-Jan	15	0.86	16	light rain shower	28	60	S	2.27
W	17-Jan	15	0.86	16	light rain shower	28	60	W	5.32
W	17-Jan	15	0.86	16	light rain shower	28	60	E	4.02
W	18-Jan	9	0.80	24	cloudy	21	0	N	4.12
W	18-Jan	9	0.80	24	cloudy	21	0	S	4.12
W	18-Jan	9	0.80	24	cloudy	21	0	W	4.12
W	18-Jan	9	0.80	24	cloudy	21	0	E	4.12

W	18-Jan	9	0.80	24	cloudy	21	30	N	5.22
W	18-Jan	9	0.80	24	cloudy	21	30	S	3.01
W	18-Jan	9	0.80	24	cloudy	21	30	W	3.98
W	18-Jan	9	0.80	24	cloudy	21	30	E	5.23
W	18-Jan	9	0.80	24	cloudy	21	45	N	5.11
W	18-Jan	9	0.80	24	cloudy	21	45	S	2.49
W	18-Jan	9	0.80	24	cloudy	21	45	W	3.18
W	18-Jan	9	0.80	24	cloudy	21	45	E	5.08
W	18-Jan	9	0.80	24	cloudy	21	60	N	4.03
W	18-Jan	9	0.80	24	cloudy	21	60	S	1.88
W	18-Jan	9	0.80	24	cloudy	21	60	W	2.42
W	18-Jan	9	0.80	24	cloudy	21	60	E	5.19
W	18-Jan	12	0.70	26	cloudy	22	0	N	6.54
W	18-Jan	12	0.70	26	cloudy	22	0	S	6.54
W	18-Jan	12	0.70	26	cloudy	22	0	W	6.54
W	18-Jan	12	0.70	26	cloudy	22	0	E	6.54
W	18-Jan	12	0.70	26	cloudy	22	30	N	6.56
W	18-Jan	12	0.70	26	cloudy	22	30	S	6.12
W	18-Jan	12	0.70	26	cloudy	22	30	W	6.36
W	18-Jan	12	0.70	26	cloudy	22	30	E	6.42
W	18-Jan	12	0.70	26	cloudy	22	45	N	6.52
W	18-Jan	12	0.70	26	cloudy	22	45	S	5.91
W	18-Jan	12	0.70	26	cloudy	22	45	W	6.23
W	18-Jan	12	0.70	26	cloudy	22	45	E	6.39
W	18-Jan	12	0.70	26	cloudy	22	60	N	6.44
W	18-Jan	12	0.70	26	cloudy	22	60	S	5.50
W	18-Jan	12	0.70	26	cloudy	22	60	W	6.02
W	18-Jan	12	0.70	26	cloudy	22	60	E	6.33
W	18-Jan	15	0.56	27	partly cloudy	26	0	N	6.59

W	18-Jan	15	0.56	27	partly cloudy	26	0	S	6.59
W	18-Jan	15	0.56	27	partly cloudy	26	0	W	6.59
W	18-Jan	15	0.56	27	partly cloudy	26	0	E	6.59
W	18-Jan	15	0.56	27	partly cloudy	26	30	N	6.49
W	18-Jan	15	0.56	27	partly cloudy	26	30	S	6.19
W	18-Jan	15	0.56	27	partly cloudy	26	30	W	6.68
W	18-Jan	15	0.56	27	partly cloudy	26	30	E	6.50
W	18-Jan	15	0.56	27	partly cloudy	26	45	N	7.02
W	18-Jan	15	0.56	27	partly cloudy	26	45	S	6.87
W	18-Jan	15	0.56	27	partly cloudy	26	45	W	6.82
W	18-Jan	15	0.56	27	partly cloudy	26	45	E	6.57
W	18-Jan	15	0.56	27	partly cloudy	26	60	N	6.32
W	18-Jan	15	0.56	27	partly cloudy	26	60	S	5.16
W	18-Jan	15	0.56	27	partly cloudy	26	60	W	6.20
W	18-Jan	15	0.56	27	partly cloudy	26	60	E	
W	19-Jan	9	0.47	21	partly cloudy	20	0	N	7.19
W	19-Jan	9	0.47	21	partly cloudy	20	0	S	7.19
W	19-Jan	9	0.47	21	partly cloudy	20	0	W	7.19
W	19-Jan	9	0.47	21	partly cloudy	20	0	E	7.19
W	19-Jan	9	0.47	21	partly cloudy	20	30	N	7.05
W	19-Jan	9	0.47	21	partly cloudy	20	30	S	7.15
W	19-Jan	9	0.47	21	partly cloudy	20	30	W	6.32
W	19-Jan	9	0.47	21	partly cloudy	20	30	E	7.23
W	19-Jan	9	0.47	21	partly cloudy	20	45	N	6.99
W	19-Jan	9	0.47	21	partly cloudy	20	45	S	6.96
W	19-Jan	9	0.47	21	partly cloudy	20	45	W	5.07
W	19-Jan	9	0.47	21	partly cloudy	20	45	E	6.54
W	19-Jan	9	0.47	21	partly cloudy	20	60	N	5.97
W	19-Jan	9	0.47	21	partly cloudy	20	60	S	5.74

W	19-Jan	9	0.47	21	partly cloudy	20	60	W	3.39
W	19-Jan	9	0.47	21	partly cloudy	20	60	E	6.30
W	19-Jan	12	0.42	19	partly cloudy	25	0	N	7.22
W	19-Jan	12	0.42	19	partly cloudy	25	0	S	7.22
W	19-Jan	12	0.42	19	partly cloudy	25	0	W	7.22
W	19-Jan	12	0.42	19	partly cloudy	25	0	E	7.22
W	19-Jan	12	0.42	19	partly cloudy	25	30	N	7.15
W	19-Jan	12	0.42	19	partly cloudy	25	30	S	6.82
W	19-Jan	12	0.42	19	partly cloudy	25	30	W	6.89
W	19-Jan	12	0.42	19	partly cloudy	25	30	E	7.03
W	19-Jan	12	0.42	19	partly cloudy	25	45	N	6.87
W	19-Jan	12	0.42	19	partly cloudy	25	45	S	6.72
W	19-Jan	12	0.42	19	partly cloudy	25	45	W	6.60
W	19-Jan	12	0.42	19	partly cloudy	25	45	E	6.89
W	19-Jan	12	0.42	19	partly cloudy	25	60	N	6.77
W	19-Jan	12	0.42	19	partly cloudy	25	60	S	6.59
W	19-Jan	12	0.42	19	partly cloudy	25	60	W	6.17
W	19-Jan	12	0.42	19	partly cloudy	25	60	E	6.78
W	19-Jan	15	0.40	29	sunny	25	0	N	7.01
W	19-Jan	15	0.40	29	sunny	25	0	S	7.01
W	19-Jan	15	0.40	29	sunny	25	0	W	7.01
W	19-Jan	15	0.40	29	sunny	25	0	E	7.01
W	19-Jan	15	0.40	29	sunny	25	30	N	7.05
W	19-Jan	15	0.40	29	sunny	25	30	S	6.90
W	19-Jan	15	0.40	29	sunny	25	30	W	7.11
W	19-Jan	15	0.40	29	sunny	25	30	E	6.29
W	19-Jan	15	0.40	29	sunny	25	45	N	6.88
W	19-Jan	15	0.40	29	sunny	25	45	S	6.77
W	19-Jan	15	0.40	29	sunny	25	45	W	6.99

W	19-Jan	15	0.40	29	sunny	25	45	E	5.68
W	19-Jan	15	0.40	29	sunny	25	60	N	6.65
W	19-Jan	15	0.40	29	sunny	25	60	S	6.52
W	19-Jan	15	0.40	29	sunny	25	60	W	6.93
W	19-Jan	15	0.40	29	sunny	25	60	E	5.58
W	20-Jan	9		11	partly cloudy	20	0	N	6.82
W	20-Jan	9		11	partly cloudy	20	0	S	6.82
W	20-Jan	9		11	partly cloudy	20	0	W	6.82
W	20-Jan	9		11	partly cloudy	20	0	E	6.82
W	20-Jan	9		11	partly cloudy	20	30	N	6.93
W	20-Jan	9		11	partly cloudy	20	30	S	6.96
W	20-Jan	9		11	partly cloudy	20	30	W	5.98
W	20-Jan	9		11	partly cloudy	20	30	E	7.00
W	20-Jan	9		11	partly cloudy	20	45	N	6.66
W	20-Jan	9		11	partly cloudy	20	45	S	6.73
W	20-Jan	9		11	partly cloudy	20	45	W	5.69
W	20-Jan	9		11	partly cloudy	20	45	E	7.07
W	20-Jan	9		11	partly cloudy	20	60	N	6.41
W	20-Jan	9		11	partly cloudy	20	60	S	6.43
W	20-Jan	9		11	partly cloudy	20	60	W	5.88
W	20-Jan	9		11	partly cloudy	20	60	E	7.05
W	20-Jan	12	0.21	15	sunny	26	0	N	7.15
W	20-Jan	12	0.21	15	sunny	26	0	S	7.15
W	20-Jan	12	0.21	15	sunny	26	0	W	7.15
W	20-Jan	12	0.21	15	sunny	26	0	E	7.15
W	20-Jan	12	0.21	15	sunny	26	30	N	7.08
W	20-Jan	12	0.21	15	sunny	26	30	S	6.83
W	20-Jan	12	0.21	15	sunny	26	30	W	6.87
W	20-Jan	12	0.21	15	sunny	26	30	E	7.01

W	20-Jan	12	0.21	15	sunny	26	45	N	6.93
W	20-Jan	12	0.21	15	sunny	26	45	S	6.75
W	20-Jan	12	0.21	15	sunny	26	45	W	6.56
W	20-Jan	12	0.21	15	sunny	26	45	E	6.84
W	20-Jan	12	0.21	15	sunny	26	60	N	6.71
W	20-Jan	12	0.21	15	sunny	26	60	S	6.31
W	20-Jan	12	0.21	15	sunny	26	60	W	6.18
W	20-Jan	12	0.21	15	sunny	26	60	E	6.78
W	20-Jan	15	0.23	28	sunny	26	0	N	6.45
W	20-Jan	15	0.23	28	sunny	26	0	S	6.45
W	20-Jan	15	0.23	28	sunny	26	0	W	6.45
W	20-Jan	15	0.23	28	sunny	26	0	E	6.45
W	20-Jan	15	0.23	28	sunny	26	30	N	6.48
W	20-Jan	15	0.23	28	sunny	26	30	S	6.26
W	20-Jan	15	0.23	28	sunny	26	30	W	6.48
W	20-Jan	15	0.23	28	sunny	26	30	E	6.19
W	20-Jan	15	0.23	28	sunny	26	45	N	6.38
W	20-Jan	15	0.23	28	sunny	26	45	S	5.81
W	20-Jan	15	0.23	28	sunny	26	45	W	6.42
W	20-Jan	15	0.23	28	sunny	26	45	E	5.98
W	20-Jan	15	0.23	28	sunny	26	60	N	6.36
W	20-Jan	15	0.23	28	sunny	26	60	S	5.45
W	20-Jan	15	0.23	28	sunny	26	60	W	6.42
W	20-Jan	15	0.23	28	sunny	26	60	E	5.79
W	21-Jan	9	0.18	15	partly cloudy	22	0	N	7.09
W	21-Jan	9	0.18	15	partly cloudy	22	0	S	7.09
W	21-Jan	9	0.18	15	partly cloudy	22	0	W	7.09
W	21-Jan	9	0.18	15	partly cloudy	22	0	E	7.09
W	21-Jan	9	0.18	15	partly cloudy	22	30	N	7.07

W	21-Jan	9	0.18	15	partly cloudy	22	30	S	6.98
W	21-Jan	9	0.18	15	partly cloudy	22	30	W	5.80
W	21-Jan	9	0.18	15	partly cloudy	22	30	E	7.21
W	21-Jan	9	0.18	15	partly cloudy	22	45	N	6.88
W	21-Jan	9	0.18	15	partly cloudy	22	45	S	6.69
W	21-Jan	9	0.18	15	partly cloudy	22	45	W	5.89
W	21-Jan	9	0.18	15	partly cloudy	22	45	E	7.16
W	21-Jan	9	0.18	15	partly cloudy	22	60	N	6.89
W	21-Jan	9	0.18	15	partly cloudy	22	60	S	6.51
W	21-Jan	9	0.18	15	partly cloudy	22	60	W	5.94
W	21-Jan	9	0.18	15	partly cloudy	22	60	E	7.13
W	21-Jan	12	0.25	19	sunny	30	0	N	7.22
W	21-Jan	12	0.25	19	sunny	30	0	S	7.22
W	21-Jan	12	0.25	19	sunny	30	0	W	7.22
W	21-Jan	12	0.25	19	sunny	30	0	E	7.22
W	21-Jan	12	0.25	19	sunny	30	30	N	7.13
W	21-Jan	12	0.25	19	sunny	30	30	S	6.98
W	21-Jan	12	0.25	19	sunny	30	30	W	6.87
W	21-Jan	12	0.25	19	sunny	30	30	E	6.99
W	21-Jan	12	0.25	19	sunny	30	45	N	6.92
W	21-Jan	12	0.25	19	sunny	30	45	S	6.72
W	21-Jan	12	0.25	19	sunny	30	45	W	6.55
W	21-Jan	12	0.25	19	sunny	30	45	E	6.82
W	21-Jan	12	0.25	19	sunny	30	60	N	6.76
W	21-Jan	12	0.25	19	sunny	30	60	S	6.23
W	21-Jan	12	0.25	19	sunny	30	60	W	6.24
W	21-Jan	12	0.25	19	sunny	30	60	E	6.66
W	21-Jan	15					0	N	
W	21-Jan	15					0	S	

W	21-Jan	15					0	W	
W	21-Jan	15					0	E	
W	21-Jan	15					30	N	
W	21-Jan	15					30	S	
W	21-Jan	15					30	W	
W	21-Jan	15					30	E	
W	21-Jan	15					45	N	
W	21-Jan	15					45	S	
W	21-Jan	15					45	W	
W	21-Jan	15					45	E	
W	21-Jan	15					60	N	
W	21-Jan	15					60	S	
W	21-Jan	15					60	W	
W	21-Jan	15					60	E	
W	22-Jan	9	0.17	19	partly cloudy	24	0	N	7.07
W	22-Jan	9	0.17	19	partly cloudy	24	0	S	7.07
W	22-Jan	9	0.17	19	partly cloudy	24	0	W	7.07
W	22-Jan	9	0.17	19	partly cloudy	24	0	E	7.07
W	22-Jan	9	0.17	19	partly cloudy	24	30	N	7.06
W	22-Jan	9	0.17	19	partly cloudy	24	30	S	7.07
W	22-Jan	9	0.17	19	partly cloudy	24	30	W	5.79
W	22-Jan	9	0.17	19	partly cloudy	24	30	E	7.11
W	22-Jan	9	0.17	19	partly cloudy	24	45	N	7.92
W	22-Jan	9	0.17	19	partly cloudy	24	45	S	6.89
W	22-Jan	9	0.17	19	partly cloudy	24	45	W	5.76
W	22-Jan	9	0.17	19	partly cloudy	24	45	E	7.10
W	22-Jan	9	0.17	19	partly cloudy	24	60	N	6.90
W	22-Jan	9	0.17	19	partly cloudy	24	60	S	6.69
W	22-Jan	9	0.17	19	partly cloudy	24	60	W	5.84

W	22-Jan	9	0.17	19	partly cloudy	24	60	E	7.10
W	22-Jan	12	0.25	17	sunny	29	0	N	7.11
W	22-Jan	12	0.25	17	sunny	29	0	S	7.11
W	22-Jan	12	0.25	17	sunny	29	0	W	7.11
W	22-Jan	12	0.25	17	sunny	29	0	E	7.11
W	22-Jan	12	0.25	17	sunny	29	30	N	7.03
W	22-Jan	12	0.25	17	sunny	29	30	S	6.80
W	22-Jan	12	0.25	17	sunny	29	30	W	6.62
W	22-Jan	12	0.25	17	sunny	29	30	E	6.74
W	22-Jan	12	0.25	17	sunny	29	45	N	6.94
W	22-Jan	12	0.25	17	sunny	29	45	S	6.63
W	22-Jan	12	0.25	17	sunny	29	45	W	6.45
W	22-Jan	12	0.25	17	sunny	29	45	E	6.69
W	22-Jan	12	0.25	17	sunny	29	60	N	6.81
W	22-Jan	12	0.25	17	sunny	29	60	S	6.49
W	22-Jan	12	0.25	17	sunny	29	60	W	5.98
W	22-Jan	12	0.25	17	sunny	29	60	E	6.63
W	22-Jan	15	0.37	24	sunny	30	0	N	7.00
W	22-Jan	15	0.37	24	sunny	30	0	S	7.00
W	22-Jan	15	0.37	24	sunny	30	0	W	7.00
W	22-Jan	15	0.37	24	sunny	30	0	E	7.00
W	22-Jan	15	0.37	24	sunny	30	30	N	6.94
W	22-Jan	15	0.37	24	sunny	30	30	S	6.73
W	22-Jan	15	0.37	24	sunny	30	30	W	6.87
W	22-Jan	15	0.37	24	sunny	30	30	E	6.06
W	22-Jan	15	0.37	24	sunny	30	45	N	6.86
W	22-Jan	15	0.37	24	sunny	30	45	S	6.63
W	22-Jan	15	0.37	24	sunny	30	45	W	6.88
W	22-Jan	15	0.37	24	sunny	30	45	E	5.40

W	22-Jan	15	0.37	24	sunny	30	60	N	6.74
W	22-Jan	15	0.37	24	sunny	30	60	S	6.62
W	22-Jan	15	0.37	24	sunny	30	60	W	6.86
W	22-Jan	15	0.37	24	sunny	30	60	E	5.62
W	23-Jan	9				25	0	N	6.89
W	23-Jan	9				25	0	S	6.89
W	23-Jan	9				25	0	W	6.89
W	23-Jan	9				25	0	E	6.89
W	23-Jan	9				25	30	N	6.71
W	23-Jan	9				25	30	S	6.84
W	23-Jan	9				25	30	W	5.92
W	23-Jan	9				25	30	E	7.03
W	23-Jan	9				25	45	N	6.74
W	23-Jan	9				25	45	S	6.83
W	23-Jan	9				25	45	W	8.79
W	23-Jan	9				25	45	E	7.06
W	23-Jan	9				25	60	N	6.66
W	23-Jan	9				25	60	S	6.74
W	23-Jan	9				25	60	W	5.84
W	23-Jan	9				25	60	E	7.01
W	23-Jan	12	0.53	18	partly cloudy	30	0	N	6.75
W	23-Jan	12	0.53	18	partly cloudy	30	0	S	6.75
W	23-Jan	12	0.53	18	partly cloudy	30	0	W	6.75
W	23-Jan	12	0.53	18	partly cloudy	30	0	E	6.75
W	23-Jan	12	0.53	18	partly cloudy	30	30	N	6.66
W	23-Jan	12	0.53	18	partly cloudy	30	30	S	6.29
W	23-Jan	12	0.53	18	partly cloudy	30	30	W	6.25
W	23-Jan	12	0.53	18	partly cloudy	30	30	E	6.40
W	23-Jan	12	0.53	18	partly cloudy	30	45	N	6.45

W	23-Jan	12	0.53	18	partly cloudy	30	45	S	6.20
W	23-Jan	12	0.53	18	partly cloudy	30	45	W	5.96
W	23-Jan	12	0.53	18	partly cloudy	30	45	E	6.35
W	23-Jan	12	0.53	18	partly cloudy	30	60	N	6.30
W	23-Jan	12	0.53	18	partly cloudy	30	60	S	4.98
W	23-Jan	12	0.53	18	partly cloudy	30	60	W	5.69
W	23-Jan	12	0.53	18	partly cloudy	30	60	E	6.28
W	23-Jan	15	0.56	20	mostly cloudy	28	0	N	6.00
W	23-Jan	15	0.56	20	mostly cloudy	28	0	S	6.00
W	23-Jan	15	0.56	20	mostly cloudy	28	0	W	6.00
W	23-Jan	15	0.56	20	mostly cloudy	28	0	E	6.00
W	23-Jan	15	0.56	20	mostly cloudy	28	30	N	6.06
W	23-Jan	15	0.56	20	mostly cloudy	28	30	S	5.61
W	23-Jan	15	0.56	20	mostly cloudy	28	30	W	5.90
W	23-Jan	15	0.56	20	mostly cloudy	28	30	E	5.98
W	23-Jan	15	0.56	20	mostly cloudy	28	45	N	6.02
W	23-Jan	15	0.56	20	mostly cloudy	28	45	S	5.02
W	23-Jan	15	0.56	20	mostly cloudy	28	45	W	5.75
W	23-Jan	15	0.56	20	mostly cloudy	28	45	E	5.91
W	23-Jan	15	0.56	20	mostly cloudy	28	60	N	5.97
W	23-Jan	15	0.56	20	mostly cloudy	28	60	S	3.79
W	23-Jan	15	0.56	20	mostly cloudy	28	60	W	5.37
W	23-Jan	15	0.37	24	sunny	30	60	E	5.75
W	24-Jan	9	0.65	8	sunny	25	0	N	7.00
W	24-Jan	9	0.65	8	sunny	25	0	S	7.00
W	24-Jan	9	0.65	8	sunny	25	0	W	7.00
W	24-Jan	9	0.65	8	sunny	25	0	E	7.00
W	24-Jan	9	0.65	8	sunny	25	30	N	6.91
W	24-Jan	9	0.65	8	sunny	25	30	S	6.91

W	24-Jan	9	0.65	8	sunny	25	30	W	5.48
W	24-Jan	9	0.65	8	sunny	25	30	E	7.10
W	24-Jan	9	0.65	8	sunny	25	45	N	6.94
W	24-Jan	9	0.65	8	sunny	25	45	S	6.87
W	24-Jan	9	0.65	8	sunny	25	45	W	5.64
W	24-Jan	9	0.65	8	sunny	25	45	E	7.10
W	24-Jan	9	0.65	8	sunny	25	60	N	6.78
W	24-Jan	9	0.65	8	sunny	25	60	S	6.60
W	24-Jan	9	0.65	8	sunny	25	60	W	5.72
W	24-Jan	9	0.65	8	sunny	25	60	E	7.09
W	24-Jan	12	0.54	20	mostly sunny	30	0	N	7.19
W	24-Jan	12	0.54	20	mostly sunny	30	0	S	7.19
W	24-Jan	12	0.54	20	mostly sunny	30	0	W	7.19
W	24-Jan	12	0.54	20	mostly sunny	30	0	E	7.19
W	24-Jan	12	0.54	20	mostly sunny	30	30	N	7.14
W	24-Jan	12	0.54	20	mostly sunny	30	30	S	6.85
W	24-Jan	12	0.54	20	mostly sunny	30	30	W	6.65
W	24-Jan	12	0.54	20	mostly sunny	30	30	E	6.86
W	24-Jan	12	0.54	20	mostly sunny	30	45	N	7.07
W	24-Jan	12	0.54	20	mostly sunny	30	45	S	6.71
W	24-Jan	12	0.54	20	mostly sunny	30	45	W	6.48
W	24-Jan	12	0.54	20	mostly sunny	30	45	E	6.80
W	24-Jan	12	0.54	20	mostly sunny	30	60	N	5.97
W	24-Jan	12	0.54	20	mostly sunny	30	60	S	6.47
W	24-Jan	12	0.54	20	mostly sunny	30	60	W	6.10
W	24-Jan	12	0.54	20	mostly sunny	30	60	E	6.75
W	24-Jan	15	0.46	26	mostly sunny	28	0	N	6.93
W	24-Jan	15	0.46	26	mostly sunny	28	0	S	6.93
W	24-Jan	15	0.46	26	mostly sunny	28	0	W	6.93

W	24-Jan	15	0.46	26	mostly sunny	28	0	E	6.93
W	24-Jan	15	0.46	26	mostly sunny	28	30	N	6.89
W	24-Jan	15	0.46	26	mostly sunny	28	30	S	6.80
W	24-Jan	15	0.46	26	mostly sunny	28	30	W	6.91
W	24-Jan	15	0.46	26	mostly sunny	28	30	E	6.06
W	24-Jan	15	0.46	26	mostly sunny	28	45	N	6.82
W	24-Jan	15	0.46	26	mostly sunny	28	45	S	6.71
W	24-Jan	15	0.46	26	mostly sunny	28	45	W	6.90
W	24-Jan	15	0.46	26	mostly sunny	28	45	E	5.53
W	24-Jan	15	0.46	26	mostly sunny	28	60	N	6.53
W	24-Jan	15	0.46	26	mostly sunny	28	60	S	6.58
W	24-Jan	15	0.46	26	mostly sunny	28	60	W	6.89
W	24-Jan	15	0.46	26	mostly sunny	28	60	E	
W	25-Jan	9	0.64	6	sunny	23	0	N	6.98
W	25-Jan	9	0.64	6	sunny	23	0	S	6.98
W	25-Jan	9	0.64	6	sunny	23	0	W	6.98
W	25-Jan	9	0.64	6	sunny	23	0	E	6.98
W	25-Jan	9	0.64	6	sunny	23	30	N	6.92
W	25-Jan	9	0.64	6	sunny	23	30	S	6.89
W	25-Jan	9	0.64	6	sunny	23	30	W	5.78
W	25-Jan	9	0.64	6	sunny	23	30	E	7.10
W	25-Jan	9	0.64	6	sunny	23	45	N	6.87
W	25-Jan	9	0.64	6	sunny	23	45	S	6.95
W	25-Jan	9	0.64	6	sunny	23	45	W	5.69
W	25-Jan	9	0.64	6	sunny	23	45	E	7.10
W	25-Jan	9	0.64	6	sunny	23	60	N	6.68
W	25-Jan	9	0.64	6	sunny	23	60	S	6.89
W	25-Jan	9	0.64	6	sunny	23	60	W	5.83
W	25-Jan	9	0.64	6	sunny	23	60	E	7.09

W	25-Jan	12					0	N	
W	25-Jan	12					0	S	
W	25-Jan	12					0	W	
W	25-Jan	12					0	E	
W	25-Jan	12					30	N	
W	25-Jan	12					30	S	
W	25-Jan	12					30	W	
W	25-Jan	12					30	E	
W	25-Jan	12					45	N	
W	25-Jan	12					45	S	
W	25-Jan	12					45	W	
W	25-Jan	12					45	E	
W	25-Jan	12					60	N	
W	25-Jan	12					60	S	
W	25-Jan	12					60	W	
W	25-Jan	12					60	E	
W	25-Jan	15	0.54	28	mostly sunny	28	0	N	7.12
W	25-Jan	15	0.54	28	mostly sunny	28	0	S	7.12
W	25-Jan	15	0.54	28	mostly sunny	28	0	W	7.12
W	25-Jan	15	0.54	28	mostly sunny	28	0	E	7.12
W	25-Jan	15	0.54	28	mostly sunny	28	30	N	7.05
W	25-Jan	15	0.54	28	mostly sunny	28	30	S	6.96
W	25-Jan	15	0.54	28	mostly sunny	28	30	W	6.95
W	25-Jan	15	0.54	28	mostly sunny	28	30	E	6.07
W	25-Jan	15	0.54	28	mostly sunny	28	45	N	6.98
W	25-Jan	15	0.54	28	mostly sunny	28	45	S	6.85
W	25-Jan	15	0.54	28	mostly sunny	28	45	W	6.94
W	25-Jan	15	0.54	28	mostly sunny	28	45	E	5.47
W	25-Jan	15	0.54	28	mostly sunny	28	60	N	6.93

W	25-Jan	15	0.54	28	mostly sunny	28	60	S	6.79
W	25-Jan	15	0.54	28	mostly sunny	28	60	W	6.93
W	25-Jan	15	0.54	28	mostly sunny	28	60	E	
W	26-Jan	9	0.63	11	mostly sunny	23	0	N	6.95
W	26-Jan	9	0.63	11	mostly sunny	23	0	S	6.95
W	26-Jan	9	0.63	11	mostly sunny	23	0	W	6.95
W	26-Jan	9	0.63	11	mostly sunny	23	0	E	6.95
W	26-Jan	9	0.63	11	mostly sunny	23	30	N	6.96
W	26-Jan	9	0.63	11	mostly sunny	23	30	S	6.08
W	26-Jan	9	0.63	11	mostly sunny	23	30	W	5.73
W	26-Jan	9	0.63	11	mostly sunny	23	30	E	7.17
W	26-Jan	9	0.63	11	mostly sunny	23	45	N	6.83
W	26-Jan	9	0.63	11	mostly sunny	23	45	S	6.82
W	26-Jan	9	0.63	11	mostly sunny	23	45	W	5.76
W	26-Jan	9	0.63	11	mostly sunny	23	45	E	7.16
W	26-Jan	9	0.63	11	mostly sunny	23	60	N	6.78
W	26-Jan	9	0.63	11	mostly sunny	23	60	S	6.68
W	26-Jan	9	0.63	11	mostly sunny	23	60	W	5.86
W	26-Jan	9	0.63	11	mostly sunny	23	60	E	7.11
W	26-Jan	12	0.52	22	sunny	28	0	N	7.24
W	26-Jan	12	0.52	22	sunny	28	0	S	7.24
W	26-Jan	12	0.52	22	sunny	28	0	W	7.24
W	26-Jan	12	0.52	22	sunny	28	0	E	7.24
W	26-Jan	12	0.52	22	sunny	28	30	N	7.19
W	26-Jan	12	0.52	22	sunny	28	30	S	7.03
W	26-Jan	12	0.52	22	sunny	28	30	W	6.78
W	26-Jan	12	0.52	22	sunny	28	30	E	7.11
W	26-Jan	12	0.52	22	sunny	28	45	N	7.00
W	26-Jan	12	0.52	22	sunny	28	45	S	6.08

W	26-Jan	12	0.52	22	sunny	28	45	W	6.64
W	26-Jan	12	0.52	22	sunny	28	45	E	6.96
W	26-Jan	12	0.52	22	sunny	28	60	N	6.89
W	26-Jan	12	0.52	22	sunny	28	60	S	6.45
W	26-Jan	12	0.52	22	sunny	28	60	W	6.30
W	26-Jan	12	0.52	22	sunny	28	60	E	6.85
W	26-Jan	15	0.47	44	sunny	28	0	N	7.07
W	26-Jan	15	0.47	44	sunny	28	0	S	7.07
W	26-Jan	15	0.47	44	sunny	28	0	W	7.07
W	26-Jan	15	0.47	44	sunny	28	0	E	7.07
W	26-Jan	15	0.47	44	sunny	28	30	N	6.90
W	26-Jan	15	0.47	44	sunny	28	30	S	7.03
W	26-Jan	15	0.47	44	sunny	28	30	W	7.06
W	26-Jan	15	0.47	44	sunny	28	30	E	6.42
W	26-Jan	15	0.47	44	sunny	28	45	N	6.85
W	26-Jan	15	0.47	44	sunny	28	45	S	6.67
W	26-Jan	15	0.47	44	sunny	28	45	W	7.04
W	26-Jan	15	0.47	44	sunny	28	45	E	5.64
W	26-Jan	15	0.47	44	sunny	28	60	N	6.73
W	26-Jan	15	0.47	44	sunny	28	60	S	6.54
W	26-Jan	15	0.47	44	sunny	28	60	W	6.92
W	26-Jan	15	0.47	44	sunny	28	60	E	5.59
W	27-Jan	9	0.55	6	sunny	25	0	N	6.90
W	27-Jan	9	0.55	6	sunny	25	0	S	6.90
W	27-Jan	9	0.55	6	sunny	25	0	W	6.90
W	27-Jan	9	0.55	6	sunny	25	0	E	6.90
W	27-Jan	9	0.55	6	sunny	25	30	N	6.94
W	27-Jan	9	0.55	6	sunny	25	30	S	6.89
W	27-Jan	9	0.55	6	sunny	25	30	W	5.66

W	27-Jan	9	0.55	6	sunny	25	30	E	7.18
W	27-Jan	9	0.55	6	sunny	25	45	N	6.96
W	27-Jan	9	0.55	6	sunny	25	45	S	6.80
W	27-Jan	9	0.55	6	sunny	25	45	W	5.79
W	27-Jan	9	0.55	6	sunny	25	45	E	7.22
W	27-Jan	9	0.55	6	sunny	25	60	N	6.54
W	27-Jan	9	0.55	6	sunny	25	60	S	6.72
W	27-Jan	9	0.55	6	sunny	25	60	W	5.86
W	27-Jan	9	0.55	6	sunny	25	60	E	7.13
W	27-Jan	12	0.35	22	sunny	33	0	N	7.15
W	27-Jan	12	0.35	22	sunny	33	0	S	7.15
W	27-Jan	12	0.35	22	sunny	33	0	W	7.15
W	27-Jan	12	0.35	22	sunny	33	0	E	7.15
W	27-Jan	12	0.35	22	sunny	33	30	N	7.10
W	27-Jan	12	0.35	22	sunny	33	30	S	6.96
W	27-Jan	12	0.35	22	sunny	33	30	W	6.82
W	27-Jan	12	0.35	22	sunny	33	30	E	7.03
W	27-Jan	12	0.35	22	sunny	33	45	N	6.92
W	27-Jan	12	0.35	22	sunny	33	45	S	6.78
W	27-Jan	12	0.35	22	sunny	33	45	W	6.55
W	27-Jan	12	0.35	22	sunny	33	45	E	6.91
W	27-Jan	12	0.35	22	sunny	33	60	N	6.79
W	27-Jan	12	0.35	22	sunny	33	60	S	6.39
W	27-Jan	12	0.35	22	sunny	33	60	W	6.12
W	27-Jan	12	0.35	22	sunny	33	60	E	6.75
W	27-Jan	15	0.25	6	mostly sunny	36	0	N	6.81
W	27-Jan	15	0.25	6	mostly sunny	36	0	S	6.81
W	27-Jan	15	0.25	6	mostly sunny	36	0	W	6.81
W	27-Jan	15	0.25	6	mostly sunny	36	0	E	6.81

W	27-Jan	15	0.25	6	mostly sunny	36	30	N	6.77
W	27-Jan	15	0.25	6	mostly sunny	36	30	S	6.74
W	27-Jan	15	0.25	6	mostly sunny	36	30	W	6.78
W	27-Jan	15	0.25	6	mostly sunny	36	30	E	5.79
W	27-Jan	15	0.25	6	mostly sunny	36	45	N	6.77
W	27-Jan	15	0.25	6	mostly sunny	36	45	S	6.66
W	27-Jan	15	0.25	6	mostly sunny	36	45	W	6.78
W	27-Jan	15	0.25	6	mostly sunny	36	45	E	5.26
W	27-Jan	15	0.25	6	mostly sunny	36	60	N	6.66
W	27-Jan	15	0.25	6	mostly sunny	36	60	S	6.47
W	27-Jan	15	0.25	6	mostly sunny	36	60	W	6.77
W	27-Jan	15	0.47	44	sunny	28	60	E	5.41
W	28-Jan	9	0.39	17	cloudy	28	0	N	3.98
W	28-Jan	9	0.39	17	cloudy	28	0	S	3.98
W	28-Jan	9	0.39	17	cloudy	28	0	W	3.98
W	28-Jan	9	0.39	17	cloudy	28	0	E	3.98
W	28-Jan	9	0.39	17	cloudy	28	30	N	3.56
W	28-Jan	9	0.39	17	cloudy	28	30	S	3.14
W	28-Jan	9	0.39	17	cloudy	28	30	W	2.68
W	28-Jan	9	0.39	17	cloudy	28	30	E	3.80
W	28-Jan	9	0.39	17	cloudy	28	45	N	3.76
W	28-Jan	9	0.39	17	cloudy	28	45	S	2.51
W	28-Jan	9	0.39	17	cloudy	28	45	W	2.11
W	28-Jan	9	0.39	17	cloudy	28	45	E	3.66
W	28-Jan	9	0.39	17	cloudy	28	60	N	2.59
W	28-Jan	9	0.39	17	cloudy	28	60	S	2.06
W	28-Jan	9	0.39	17	cloudy	28	60	W	1.63
W	28-Jan	9	0.39	17	cloudy	28	60	E	3.47
W	28-Jan	12					0	N	

W	28-Jan	12				0	S	
W	28-Jan	12				0	W	
W	28-Jan	12				0	E	
W	28-Jan	12				30	N	
W	28-Jan	12				30	S	
W	28-Jan	12				30	W	
W	28-Jan	12				30	E	
W	28-Jan	12				45	N	
W	28-Jan	12				45	S	
W	28-Jan	12				45	W	
W	28-Jan	12				45	E	
W	28-Jan	12				60	N	
W	28-Jan	12				60	S	
W	28-Jan	12				60	W	
W	28-Jan	12				60	E	
W	28-Jan	15				0	N	
W	28-Jan	15				0	S	
W	28-Jan	15				0	W	
W	28-Jan	15				0	E	
W	28-Jan	15				30	N	
W	28-Jan	15				30	S	
W	28-Jan	15				30	W	
W	28-Jan	15				30	E	
W	28-Jan	15				45	N	
W	28-Jan	15				45	S	
W	28-Jan	15				45	W	
W	28-Jan	15				45	E	
W	28-Jan	15				60	N	
W	28-Jan	15				60	S	

W	28-Jan	15					60	W	
W	28-Jan	15					60	E	
G	8-Jan	9					0	N	
G	8-Jan	9					0	S	
G	8-Jan	9					0	V	
G	8-Jan	9					0	E	
G	8-Jan	9					30	N	
G	8-Jan	9					30	S	
G	8-Jan	9					30	V	
G	8-Jan	9					30	E	
G	8-Jan	9					45	N	
G	8-Jan	9					45	S	
G	8-Jan	9					45	V	
G	8-Jan	9					45	E	
G	8-Jan	9					60	N	
G	8-Jan	9					60	S	
G	8-Jan	9					60	V	
G	8-Jan	9					60	E	
G	8-Jan	9					90	N	
G	8-Jan	9					90	S	
G	8-Jan	9					90	V	
G	8-Jan	9					90	E	
G	8-Jan	12	0.30	21	sunny	33	0	N	6.70
G	8-Jan	12	0.30	21	sunny	33	0	S	6.70
G	8-Jan	12	0.30	21	sunny	33	0	V	6.70
G	8-Jan	12	0.30	21	sunny	33	0	E	6.70
G	8-Jan	12	0.30	21	sunny	33	30	N	6.67
G	8-Jan	12	0.30	21	sunny	33	30	S	6.30
G	8-Jan	12	0.30	21	sunny	33	30	V	6.49

G	8-Jan	12	0.30	21	sunny	33	30	E	6.64
G	8-Jan	12	0.30	21	sunny	33	45	N	6.69
G	8-Jan	12	0.30	21	sunny	33	45	S	6.37
G	8-Jan	12	0.30	21	sunny	33	45	V	6.38
G	8-Jan	12	0.30	21	sunny	33	45	E	6.59
G	8-Jan	12	0.30	21	sunny	33	60	N	6.59
G	8-Jan	12	0.30	21	sunny	33	60	S	6.28
G	8-Jan	12	0.30	21	sunny	33	60	V	6.16
G	8-Jan	12	0.30	21	sunny	33	60	E	6.57
G	8-Jan	12	0.30	21	sunny	33	90	N	6.32
G	8-Jan	12	0.30	21	sunny	33	90	S	5.85
G	8-Jan	12	0.30	21	sunny	33	90	V	5.55
G	8-Jan	12	0.30	21	sunny	33	90	E	6.26
G	8-Jan	17	0.34	24	sunny	36	0	N	6.54
G	8-Jan	17	0.34	24	sunny	36	0	S	6.54
G	8-Jan	17	0.34	24	sunny	36	0	V	6.54
G	8-Jan	17	0.34	24	sunny	36	0	E	6.54
G	8-Jan	17	0.34	24	sunny	36	30	N	6.53
G	8-Jan	17	0.34	24	sunny	36	30	S	6.49
G	8-Jan	17	0.34	24	sunny	36	30	V	6.73
G	8-Jan	17	0.34	24	sunny	36	30	E	6.00
G	8-Jan	17	0.34	24	sunny	36	45	N	6.47
G	8-Jan	17	0.34	24	sunny	36	45	S	6.47
G	8-Jan	17	0.34	24	sunny	36	45	V	6.77
G	8-Jan	17	0.34	24	sunny	36	45	E	5.17
G	8-Jan	17	0.34	24	sunny	36	60	N	6.41
G	8-Jan	17	0.34	24	sunny	36	60	S	6.24
G	8-Jan	17	0.34	24	sunny	36	60	V	6.76
G	8-Jan	17	0.34	24	sunny	36	60	E	5.18

G	8-Jan	17	0.34	24	sunny	36	90	N	6.05
G	8-Jan	17	0.34	24	sunny	36	90	S	5.97
G	8-Jan	17	0.34	24	sunny	36	90	V	6.71
G	8-Jan	17	0.34	24	sunny	36	90	E	5.19
G	9-Jan	9	0.54	19	mostly sunny	28	0	N	6.83
G	9-Jan	9	0.54	19	mostly sunny	28	0	S	6.83
G	9-Jan	9	0.54	19	mostly sunny	28	0	V	6.83
G	9-Jan	9	0.54	19	mostly sunny	28	0	E	6.83
G	9-Jan	9	0.54	19	mostly sunny	28	30	N	6.49
G	9-Jan	9	0.54	19	mostly sunny	28	30	S	6.93
G	9-Jan	9	0.54	19	mostly sunny	28	30	V	5.54
G	9-Jan	9	0.54	19	mostly sunny	28	30	E	6.66
G	9-Jan	9	0.54	19	mostly sunny	28	45	N	5.83
G	9-Jan	9	0.54	19	mostly sunny	28	45	S	6.95
G	9-Jan	9	0.54	19	mostly sunny	28	45	V	5.37
G	9-Jan	9	0.54	19	mostly sunny	28	45	E	6.92
G	9-Jan	9	0.54	19	mostly sunny	28	60	N	6.42
G	9-Jan	9	0.54	19	mostly sunny	28	60	S	6.72
G	9-Jan	9	0.54	19	mostly sunny	28	60	V	5.40
G	9-Jan	9	0.54	19	mostly sunny	28	60	E	6.71
G	9-Jan	9	0.54	19	mostly sunny	28	90	N	5.83
G	9-Jan	9	0.54	19	mostly sunny	28	90	S	6.32
G	9-Jan	9	0.54	19	mostly sunny	28	90	V	5.41
G	9-Jan	9	0.54	19	mostly sunny	28	90	E	6.89
G	9-Jan	12	0.46	26	sunny	30	0	N	7.04
G	9-Jan	12	0.46	26	sunny	30	0	S	7.04
G	9-Jan	12	0.46	26	sunny	30	0	V	7.04
G	9-Jan	12	0.46	26	sunny	30	0	E	7.04
G	9-Jan	12	0.46	26	sunny	30	30	N	6.97

G	9-Jan	12	0.46	26	sunny	30	30	S	6.86
G	9-Jan	12	0.46	26	sunny	30	30	V	6.78
G	9-Jan	12	0.46	26	sunny	30	30	E	6.90
G	9-Jan	12	0.46	26	sunny	30	45	N	6.88
G	9-Jan	12	0.46	26	sunny	30	45	S	6.67
G	9-Jan	12	0.46	26	sunny	30	45	V	6.66
G	9-Jan	12	0.46	26	sunny	30	45	E	6.86
G	9-Jan	12	0.46	26	sunny	30	60	N	6.81
G	9-Jan	12	0.46	26	sunny	30	60	S	6.51
G	9-Jan	12	0.46	26	sunny	30	60	V	6.63
G	9-Jan	12	0.46	26	sunny	30	60	E	6.81
G	9-Jan	12	0.46	26	sunny	30	90	N	6.60
G	9-Jan	12	0.46	26	sunny	30	90	S	6.15
G	9-Jan	12	0.46	26	sunny	30	90	V	6.00
G	9-Jan	12	0.46	26	sunny	30	90	E	6.60
G	9-Jan	17	0.41	31	sunny	35	0	N	6.79
G	9-Jan	17	0.41	31	sunny	35	0	S	6.79
G	9-Jan	17	0.41	31	sunny	35	0	V	6.79
G	9-Jan	17	0.41	31	sunny	35	0	E	6.79
G	9-Jan	17	0.41	31	sunny	35	30	N	6.56
G	9-Jan	17	0.41	31	sunny	35	30	S	6.73
G	9-Jan	17	0.41	31	sunny	35	30	V	6.86
G	9-Jan	17	0.41	31	sunny	35	30	E	6.13
G	9-Jan	17	0.41	31	sunny	35	45	N	6.42
G	9-Jan	17	0.41	31	sunny	35	45	S	6.64
G	9-Jan	17	0.41	31	sunny	35	45	V	6.87
G	9-Jan	17	0.41	31	sunny	35	45	E	4.84
G	9-Jan	17	0.41	31	sunny	35	60	N	6.17
G	9-Jan	17	0.41	31	sunny	35	60	S	6.30

G	9-Jan	17	0.41	31	sunny	35	60	V	6.82
G	9-Jan	17	0.41	31	sunny	35	60	E	4.72
G	9-Jan	17	0.41	31	sunny	35	90	N	5.87
G	9-Jan	17	0.41	31	sunny	35	90	S	6.10
G	9-Jan	17	0.41	31	sunny	35	90	V	6.75
G	9-Jan	17	0.41	31	sunny	35	90	E	4.96
G	10-Jan	9	0.54	13	sunny	25	0	N	6.90
G	10-Jan	9	0.54	13	sunny	25	0	S	6.90
G	10-Jan	9	0.54	13	sunny	25	0	V	6.90
G	10-Jan	9	0.54	13	sunny	25	0	E	6.90
G	10-Jan	9	0.54	13	sunny	25	30	N	6.84
G	10-Jan	9	0.54	13	sunny	25	30	S	6.62
G	10-Jan	9	0.54	13	sunny	25	30	V	5.13
G	10-Jan	9	0.54	13	sunny	25	30	E	6.90
G	10-Jan	9	0.54	13	sunny	25	45	N	6.74
G	10-Jan	9	0.54	13	sunny	25	45	S	6.63
G	10-Jan	9	0.54	13	sunny	25	45	V	5.23
G	10-Jan	9	0.54	13	sunny	25	45	E	6.86
G	10-Jan	9	0.54	13	sunny	25	60	N	6.35
G	10-Jan	9	0.54	13	sunny	25	60	S	6.66
G	10-Jan	9	0.54	13	sunny	25	60	V	5.30
G	10-Jan	9	0.54	13	sunny	25	60	E	6.92
G	10-Jan	9	0.54	13	sunny	25	90	N	6.06
G	10-Jan	9	0.54	13	sunny	25	90	S	5.93
G	10-Jan	9	0.54	13	sunny	25	90	V	5.31
G	10-Jan	9	0.54	13	sunny	25	90	E	6.90
G	10-Jan	12	0.47	19	sunny	27	0	N	7.20
G	10-Jan	12	0.47	19	sunny	27	0	S	7.20
G	10-Jan	12	0.47	19	sunny	27	0	V	7.20

G	10-Jan	12	0.47	19	sunny	27	0	E	7.20
G	10-Jan	12	0.47	19	sunny	27	30	N	7.07
G	10-Jan	12	0.47	19	sunny	27	30	S	6.81
G	10-Jan	12	0.47	19	sunny	27	30	V	6.75
G	10-Jan	12	0.47	19	sunny	27	30	E	6.95
G	10-Jan	12	0.47	19	sunny	27	45	N	6.98
G	10-Jan	12	0.47	19	sunny	27	45	S	6.70
G	10-Jan	12	0.47	19	sunny	27	45	V	6.45
G	10-Jan	12	0.47	19	sunny	27	45	E	6.86
G	10-Jan	12	0.47	19	sunny	27	60	N	6.85
G	10-Jan	12	0.47	19	sunny	27	60	S	6.60
G	10-Jan	12	0.47	19	sunny	27	60	V	6.33
G	10-Jan	12	0.47	19	sunny	27	60	E	6.84
G	10-Jan	12	0.47	19	sunny	27	90	N	6.55
G	10-Jan	12	0.47	19	sunny	27	90	S	6.18
G	10-Jan	12	0.47	19	sunny	27	90	V	5.95
G	10-Jan	12	0.47	19	sunny	27	90	E	6.58
G	10-Jan	17	0.44	27	mostly sunny	29	0	N	6.90
G	10-Jan	17	0.44	27	mostly sunny	29	0	S	6.90
G	10-Jan	17	0.44	27	mostly sunny	29	0	V	6.90
G	10-Jan	17	0.44	27	mostly sunny	29	0	E	6.90
G	10-Jan	17	0.44	27	mostly sunny	29	30	N	6.74
G	10-Jan	17	0.44	27	mostly sunny	29	30	S	6.73
G	10-Jan	17	0.44	27	mostly sunny	29	30	V	6.89
G	10-Jan	17	0.44	27	mostly sunny	29	30	E	5.92
G	10-Jan	17	0.44	27	mostly sunny	29	45	N	6.65
G	10-Jan	17	0.44	27	mostly sunny	29	45	S	6.54
G	10-Jan	17	0.44	27	mostly sunny	29	45	V	6.87
G	10-Jan	17	0.44	27	mostly sunny	29	45	E	4.85

G	10-Jan	17	0.44	27	mostly sunny	29	60	N	6.61
G	10-Jan	17	0.44	27	mostly sunny	29	60	S	6.30
G	10-Jan	17	0.44	27	mostly sunny	29	60	V	6.89
G	10-Jan	17	0.44	27	mostly sunny	29	60	E	5.01
G	10-Jan	17	0.44	27	mostly sunny	29	90	N	6.17
G	10-Jan	17	0.44	27	mostly sunny	29	90	S	6.11
G	10-Jan	17	0.44	27	mostly sunny	29	90	V	6.81
G	10-Jan	17	0.44	27	mostly sunny	29	90	E	4.96
G	11-Jan	9	0.39	8	mostly sunny	25	0	N	6.80
G	11-Jan	9	0.39	8	mostly sunny	25	0	S	6.80
G	11-Jan	9	0.39	8	mostly sunny	25	0	V	6.80
G	11-Jan	9	0.39	8	mostly sunny	25	0	E	6.80
G	11-Jan	9	0.39	8	mostly sunny	25	30	N	6.65
G	11-Jan	9	0.39	8	mostly sunny	25	30	S	6.60
G	11-Jan	9	0.39	8	mostly sunny	25	30	V	5.45
G	11-Jan	9	0.39	8	mostly sunny	25	30	E	6.95
G	11-Jan	9	0.39	8	mostly sunny	25	45	N	6.52
G	11-Jan	9	0.39	8	mostly sunny	25	45	S	6.56
G	11-Jan	9	0.39	8	mostly sunny	25	45	V	5.11
G	11-Jan	9	0.39	8	mostly sunny	25	45	E	6.91
G	11-Jan	9	0.39	8	mostly sunny	25	60	N	6.52
G	11-Jan	9	0.39	8	mostly sunny	25	60	S	6.29
G	11-Jan	9	0.39	8	mostly sunny	25	60	V	5.33
G	11-Jan	9	0.39	8	mostly sunny	25	60	E	6.98
G	11-Jan	9	0.39	8	mostly sunny	25	90	N	5.70
G	11-Jan	9	0.39	8	mostly sunny	25	90	S	5.95
G	11-Jan	9	0.39	8	mostly sunny	25	90	V	5.28
G	11-Jan	9	0.39	8	mostly sunny	25	90	E	6.91
G	11-Jan	12	0.48	18	mostly sunny	27	0	N	7.11

G	11-Jan	12	0.48	18	mostly sunny	27	0	S	7.11
G	11-Jan	12	0.48	18	mostly sunny	27	0	V	7.11
G	11-Jan	12	0.48	18	mostly sunny	27	0	E	7.11
G	11-Jan	12	0.48	18	mostly sunny	27	30	N	6.85
G	11-Jan	12	0.48	18	mostly sunny	27	30	S	6.68
G	11-Jan	12	0.48	18	mostly sunny	27	30	V	6.80
G	11-Jan	12	0.48	18	mostly sunny	27	30	E	6.82
G	11-Jan	12	0.48	18	mostly sunny	27	45	N	6.80
G	11-Jan	12	0.48	18	mostly sunny	27	45	S	6.52
G	11-Jan	12	0.48	18	mostly sunny	27	45	V	6.64
G	11-Jan	12	0.48	18	mostly sunny	27	45	E	6.76
G	11-Jan	12	0.48	18	mostly sunny	27	60	N	6.77
G	11-Jan	12	0.48	18	mostly sunny	27	60	S	6.34
G	11-Jan	12	0.48	18	mostly sunny	27	60	V	6.38
G	11-Jan	12	0.48	18	mostly sunny	27	60	E	6.73
G	11-Jan	12	0.48	18	mostly sunny	27	90	N	6.47
G	11-Jan	12	0.48	18	mostly sunny	27	90	S	5.96
G	11-Jan	12	0.48	18	mostly sunny	27	90	V	6.00
G	11-Jan	12	0.48	18	mostly sunny	27	90	E	6.48
G	11-Jan	17	0.39	23	sunny	27	0	N	6.92
G	11-Jan	17	0.39	23	sunny	27	0	S	6.92
G	11-Jan	17	0.39	23	sunny	27	0	V	6.92
G	11-Jan	17	0.39	23	sunny	27	0	E	6.92
G	11-Jan	17	0.39	23	sunny	27	30	N	6.66
G	11-Jan	17	0.39	23	sunny	27	30	S	6.83
G	11-Jan	17	0.39	23	sunny	27	30	V	6.88
G	11-Jan	17	0.39	23	sunny	27	30	E	6.16
G	11-Jan	17	0.39	23	sunny	27	45	N	6.53
G	11-Jan	17	0.39	23	sunny	27	45	S	6.75

G	11-Jan	17	0.39	23	sunny	27	45	V	6.96
G	11-Jan	17	0.39	23	sunny	27	45	E	4.89
G	11-Jan	17	0.39	23	sunny	27	60	N	6.44
G	11-Jan	17	0.39	23	sunny	27	60	S	6.60
G	11-Jan	17	0.39	23	sunny	27	60	V	6.94
G	11-Jan	17	0.39	23	sunny	27	60	E	4.89
G	11-Jan	17	0.39	23	sunny	27	90	N	6.00
G	11-Jan	17	0.39	23	sunny	27	90	S	6.24
G	11-Jan	17	0.39	23	sunny	27	90	V	6.90
G	11-Jan	17	0.39	23	sunny	27	90	E	4.37
G	12-Jan	9			mostly sunny	28	0	N	7.00
G	12-Jan	9			mostly sunny	28	0	S	7.00
G	12-Jan	9			mostly sunny	28	0	V	7.00
G	12-Jan	9			mostly sunny	28	0	E	7.00
G	12-Jan	9			mostly sunny	28	30	N	6.56
G	12-Jan	9			mostly sunny	28	30	S	6.63
G	12-Jan	9			mostly sunny	28	30	V	5.81
G	12-Jan	9			mostly sunny	28	30	E	7.01
G	12-Jan	9			mostly sunny	28	45	N	6.41
G	12-Jan	9			mostly sunny	28	45	S	6.61
G	12-Jan	9			mostly sunny	28	45	V	5.70
G	12-Jan	9			mostly sunny	28	45	E	7.11
G	12-Jan	9			mostly sunny	28	60	N	6.26
G	12-Jan	9			mostly sunny	28	60	S	6.56
G	12-Jan	9			mostly sunny	28	60	V	5.69
G	12-Jan	9			mostly sunny	28	60	E	7.05
G	12-Jan	9			mostly sunny	28	90	N	6.02
G	12-Jan	9			mostly sunny	28	90	S	6.15
G	12-Jan	9			mostly sunny	28	90	V	5.71

G	12-Jan	9			mostly sunny	28	90	E	7.03
G	12-Jan	12	0.39	16	sunny	30	0	N	7.09
G	12-Jan	12	0.39	16	sunny	30	0	S	7.09
G	12-Jan	12	0.39	16	sunny	30	0	V	7.09
G	12-Jan	12	0.39	16	sunny	30	0	E	7.09
G	12-Jan	12	0.39	16	sunny	30	30	N	6.96
G	12-Jan	12	0.39	16	sunny	30	30	S	6.84
G	12-Jan	12	0.39	16	sunny	30	30	V	7.03
G	12-Jan	12	0.39	16	sunny	30	30	E	6.98
G	12-Jan	12	0.39	16	sunny	30	45	N	6.95
G	12-Jan	12	0.39	16	sunny	30	45	S	6.83
G	12-Jan	12	0.39	16	sunny	30	45	V	6.82
G	12-Jan	12	0.39	16	sunny	30	45	E	6.89
G	12-Jan	12	0.39	16	sunny	30	60	N	6.83
G	12-Jan	12	0.39	16	sunny	30	60	S	6.74
G	12-Jan	12	0.39	16	sunny	30	60	V	6.63
G	12-Jan	12	0.39	16	sunny	30	60	E	6.87
G	12-Jan	12	0.39	16	sunny	30	90	N	6.53
G	12-Jan	12	0.39	16	sunny	30	90	S	6.49
G	12-Jan	12	0.39	16	sunny	30	90	V	6.25
G	12-Jan	12	0.39	16	sunny	30	90	E	6.63
G	12-Jan	17	0.39	24	sunny	30	0	N	6.80
G	12-Jan	17	0.39	24	sunny	30	0	S	6.80
G	12-Jan	17	0.39	24	sunny	30	0	V	6.80
G	12-Jan	17	0.39	24	sunny	30	0	E	6.80
G	12-Jan	17	0.39	24	sunny	30	30	N	6.59
G	12-Jan	17	0.39	24	sunny	30	30	S	6.70
G	12-Jan	17	0.39	24	sunny	30	30	V	6.84
G	12-Jan	17	0.39	24	sunny	30	30	E	5.95

G	12-Jan	17	0.39	24	sunny	30	45	N	6.51
G	12-Jan	17	0.39	24	sunny	30	45	S	6.64
G	12-Jan	17	0.39	24	sunny	30	45	V	6.83
G	12-Jan	17	0.39	24	sunny	30	45	E	4.78
G	12-Jan	17	0.39	24	sunny	30	60	N	6.28
G	12-Jan	17	0.39	24	sunny	30	60	S	6.50
G	12-Jan	17	0.39	24	sunny	30	60	V	6.82
G	12-Jan	17	0.39	24	sunny	30	60	E	4.76
G	12-Jan	17	0.39	24	sunny	30	90	N	5.95
G	12-Jan	17	0.39	24	sunny	30	90	S	6.09
G	12-Jan	17	0.39	24	sunny	30	90	V	6.79
G	12-Jan	17	0.39	24	sunny	30	90	E	4.73
G	13-Jan	9	0.33	6	partly cloudy	28	0	N	6.79
G	13-Jan	9	0.33	6	partly cloudy	28	0	S	6.79
G	13-Jan	9	0.33	6	partly cloudy	28	0	V	6.79
G	13-Jan	9	0.33	6	partly cloudy	28	0	E	6.79
G	13-Jan	9	0.33	6	partly cloudy	28	30	N	6.69
G	13-Jan	9	0.33	6	partly cloudy	28	30	S	6.82
G	13-Jan	9	0.33	6	partly cloudy	28	30	V	5.44
G	13-Jan	9	0.33	6	partly cloudy	28	30	E	6.98
G	13-Jan	9	0.33	6	partly cloudy	28	45	N	6.63
G	13-Jan	9	0.33	6	partly cloudy	28	45	S	6.71
G	13-Jan	9	0.33	6	partly cloudy	28	45	V	5.35
G	13-Jan	9	0.33	6	partly cloudy	28	45	E	6.95
G	13-Jan	9	0.33	6	partly cloudy	28	60	N	6.49
G	13-Jan	9	0.33	6	partly cloudy	28	60	S	6.61
G	13-Jan	9	0.33	6	partly cloudy	28	60	V	5.43
G	13-Jan	9	0.33	6	partly cloudy	28	60	E	7.00
G	13-Jan	9	0.33	6	partly cloudy	28	90	N	6.05

G	13-Jan	9	0.33	6	partly cloudy	28	90	S	6.20
G	13-Jan	9	0.33	6	partly cloudy	28	90	V	5.48
G	13-Jan	9	0.33	6	partly cloudy	28	90	E	6.95
G	13-Jan	12	0.27	13	sunny	31	0	N	7.13
G	13-Jan	12	0.27	13	sunny	31	0	S	7.13
G	13-Jan	12	0.27	13	sunny	31	0	V	7.13
G	13-Jan	12	0.27	13	sunny	31	0	E	7.13
G	13-Jan	12	0.27	13	sunny	31	30	N	7.08
G	13-Jan	12	0.27	13	sunny	31	30	S	6.79
G	13-Jan	12	0.27	13	sunny	31	30	V	6.86
G	13-Jan	12	0.27	13	sunny	31	30	E	6.86
G	13-Jan	12	0.27	13	sunny	31	45	N	6.97
G	13-Jan	12	0.27	13	sunny	31	45	S	6.67
G	13-Jan	12	0.27	13	sunny	31	45	V	6.68
G	13-Jan	12	0.27	13	sunny	31	45	E	6.81
G	13-Jan	12	0.27	13	sunny	31	60	N	6.93
G	13-Jan	12	0.27	13	sunny	31	60	S	6.49
G	13-Jan	12	0.27	13	sunny	31	60	V	6.36
G	13-Jan	12	0.27	13	sunny	31	60	E	6.76
G	13-Jan	12	0.27	13	sunny	31	90	N	6.59
G	13-Jan	12	0.27	13	sunny	31	90	S	6.13
G	13-Jan	12	0.27	13	sunny	31	90	V	6.08
G	13-Jan	12	0.27	13	sunny	31	90	E	6.56
G	13-Jan	17	0.21	18	sunny		0	N	7.00
G	13-Jan	17	0.21	18	sunny		0	S	7.00
G	13-Jan	17	0.21	18	sunny		0	V	7.00
G	13-Jan	17	0.21	18	sunny		0	E	7.00
G	13-Jan	17	0.21	18	sunny		30	N	6.58
G	13-Jan	17	0.21	18	sunny		30	S	6.52

G	13-Jan	17	0.21	18	sunny		30	V	6.74
G	13-Jan	17	0.21	18	sunny		30	E	6.73
G	13-Jan	17	0.21	18	sunny		45	N	6.52
G	13-Jan	17	0.21	18	sunny		45	S	6.43
G	13-Jan	17	0.21	18	sunny		45	V	6.83
G	13-Jan	17	0.21	18	sunny		45	E	6.66
G	13-Jan	17	0.21	18	sunny		60	N	6.46
G	13-Jan	17	0.21	18	sunny		60	S	6.32
G	13-Jan	17	0.21	18	sunny		60	V	6.80
G	13-Jan	17	0.21	18	sunny		60	E	6.65
G	13-Jan	17	0.21	18	sunny		90	N	5.93
G	13-Jan	17	0.21	18	sunny		90	S	6.01
G	13-Jan	17	0.21	18	sunny		90	V	6.76
G	13-Jan	17	0.21	18	sunny		90	E	6.44
G	14-Jan	9					0	N	
G	14-Jan	9					0	S	
G	14-Jan	9					0	V	
G	14-Jan	9					0	E	
G	14-Jan	9					30	N	
G	14-Jan	9					30	S	
G	14-Jan	9					30	V	
G	14-Jan	9					30	E	
G	14-Jan	9					45	N	
G	14-Jan	9					45	S	
G	14-Jan	9					45	V	
G	14-Jan	9					45	E	
G	14-Jan	9					60	N	
G	14-Jan	9					60	S	
G	14-Jan	9					60	V	

G	14-Jan	9					60	E	
G	14-Jan	9					90	N	
G	14-Jan	9					90	S	
G	14-Jan	9					90	V	
G	14-Jan	9					90	E	
G	14-Jan	12	0.21	21	cloudy	35	0	N	4.77
G	14-Jan	12	0.21	21	cloudy	35	0	S	4.77
G	14-Jan	12	0.21	21	cloudy	35	0	V	4.77
G	14-Jan	12	0.21	21	cloudy	35	0	E	4.77
G	14-Jan	12	0.21	21	cloudy	35	30	N	4.80
G	14-Jan	12	0.21	21	cloudy	35	30	S	3.40
G	14-Jan	12	0.21	21	cloudy	35	30	V	3.32
G	14-Jan	12	0.21	21	cloudy	35	30	E	5.04
G	14-Jan	12	0.21	21	cloudy	35	45	N	4.51
G	14-Jan	12	0.21	21	cloudy	35	45	S	3.60
G	14-Jan	12	0.21	21	cloudy	35	45	V	2.94
G	14-Jan	12	0.21	21	cloudy	35	45	E	5.41
G	14-Jan	12	0.21	21	cloudy	35	60	N	4.04
G	14-Jan	12	0.21	21	cloudy	35	60	S	2.39
G	14-Jan	12	0.21	21	cloudy	35	60	V	2.42
G	14-Jan	12	0.21	21	cloudy	35	60	E	4.47
G	14-Jan	12	0.21	21	cloudy	35	90	N	2.06
G	14-Jan	12	0.21	21	cloudy	35	90	S	2.47
G	14-Jan	12	0.21	21	cloudy	35	90	V	1.93
G	14-Jan	12	0.21	21	cloudy	35	90	E	2.92
G	14-Jan	17	0.40	35	Sunny	28	0	N	6.86
G	14-Jan	17	0.40	35	Sunny	28	0	S	6.86
G	14-Jan	17	0.40	35	Sunny	28	0	V	6.86
G	14-Jan	17	0.40	35	Sunny	28	0	E	6.86

G	14-Jan	17	0.40	35	Sunny	28	30	N	6.71
G	14-Jan	17	0.40	35	Sunny	28	30	S	6.78
G	14-Jan	17	0.40	35	Sunny	28	30	V	6.93
G	14-Jan	17	0.40	35	Sunny	28	30	E	6.24
G	14-Jan	17	0.40	35	Sunny	28	45	N	6.61
G	14-Jan	17	0.40	35	Sunny	28	45	S	6.71
G	14-Jan	17	0.40	35	Sunny	28	45	V	6.98
G	14-Jan	17	0.40	35	Sunny	28	45	E	4.96
G	14-Jan	17	0.40	35	Sunny	28	60	N	
G	14-Jan	17	0.40	35	Sunny	28	60	S	
G	14-Jan	17	0.40	35	Sunny	28	60	V	
G	14-Jan	17	0.40	35	Sunny	28	60	E	
G	14-Jan	17	0.40	35	Sunny	28	90	N	
G	14-Jan	17	0.40	35	Sunny	28	90	S	
G	14-Jan	17	0.40	35	Sunny	28	90	V	
G	14-Jan	17	0.40	35	Sunny	28	90	E	
G	15-Jan	9	0.39	8	Cloudy	22	0	N	6.70
G	15-Jan	9	0.39	8	Cloudy	22	0	S	6.70
G	15-Jan	9	0.39	8	Cloudy	22	0	V	6.70
G	15-Jan	9	0.39	8	Cloudy	22	0	E	6.70
G	15-Jan	9	0.39	8	Cloudy	22	30	N	6.50
G	15-Jan	9	0.39	8	Cloudy	22	30	S	6.58
G	15-Jan	9	0.39	8	Cloudy	22	30	V	6.03
G	15-Jan	9	0.39	8	Cloudy	22	30	E	6.80
G	15-Jan	9	0.39	8	Cloudy	22	45	N	5.86
G	15-Jan	9	0.39	8	Cloudy	22	45	S	6.60
G	15-Jan	9	0.39	8	Cloudy	22	45	V	6.02
G	15-Jan	9	0.39	8	Cloudy	22	45	E	6.79
G	15-Jan	9	0.39	8	Cloudy	22	60	N	

G	15-Jan	9	0.39	8	Cloudy	22	60	S	
G	15-Jan	9	0.39	8	Cloudy	22	60	V	
G	15-Jan	9	0.39	8	Cloudy	22	60	E	
G	15-Jan	12	0.48	18	Mostly sunny	29	0	N	6.15
G	15-Jan	12	0.48	18	Mostly sunny	29	0	S	6.15
G	15-Jan	12	0.48	18	Mostly sunny	29	0	V	6.15
G	15-Jan	12	0.48	18	Mostly sunny	29	0	E	6.15
G	15-Jan	12	0.48	18	Mostly sunny	29	30	N	6.19
G	15-Jan	12	0.48	18	Mostly sunny	29	30	S	5.86
G	15-Jan	12	0.48	18	Mostly sunny	29	30	V	5.66
G	15-Jan	12	0.48	18	Mostly sunny	29	30	E	5.83
G	15-Jan	12	0.48	18	Mostly sunny	29	45	N	6.08
G	15-Jan	12	0.48	18	Mostly sunny	29	45	S	5.64
G	15-Jan	12	0.48	18	Mostly sunny	29	45	V	5.47
G	15-Jan	12	0.48	18	Mostly sunny	29	45	E	5.78
G	15-Jan	12	0.48	18	Mostly sunny	29	60	N	
G	15-Jan	12	0.48	18	Mostly sunny	29	60	S	
G	15-Jan	12	0.48	18	Mostly sunny	29	60	V	
G	15-Jan	12	0.48	18	Mostly sunny	29	60	E	
G	15-Jan	17	0.39	23		25	0	N	6.29
G	15-Jan	17	0.39	23		25	0	S	6.29
G	15-Jan	17	0.39	23		25	0	V	6.29
G	15-Jan	17	0.39	23		25	0	E	6.29
G	15-Jan	17	0.39	23		25	30	N	6.33
G	15-Jan	17	0.39	23		25	30	S	5.96
G	15-Jan	17	0.39	23		25	30	V	6.19
G	15-Jan	17	0.39	23		25	30	E	5.23
G	15-Jan	17	0.39	23		25	45	N	6.18
G	15-Jan	17	0.39	23		25	45	S	5.88

G	15-Jan	17	0.39	23		25	45	V	6.29
G	15-Jan	17	0.39	23		25	45	E	3.98
G	15-Jan	17	0.39	23		25	60	N	
G	15-Jan	17	0.39	23		25	60	S	
G	15-Jan	17	0.39	23		25	60	V	
G	15-Jan	17	0.39	23		25	60	E	
G	16-Jan	9	0.41	8	Mostly cloudy	25	0	N	6.58
G	16-Jan	9	0.41	8	Mostly cloudy	25	0	S	6.58
G	16-Jan	9	0.41	8	Mostly cloudy	25	0	V	6.58
G	16-Jan	9	0.41	8	Mostly cloudy	25	0	E	6.58
G	16-Jan	9	0.41	8	Mostly cloudy	25	30	N	5.75
G	16-Jan	9	0.41	8	Mostly cloudy	25	30	S	6.16
G	16-Jan	9	0.41	8	Mostly cloudy	25	30	V	5.60
G	16-Jan	9	0.41	8	Mostly cloudy	25	30	E	6.26
G	16-Jan	9	0.41	8	Mostly cloudy	25	45	N	5.34
G	16-Jan	9	0.41	8	Mostly cloudy	25	45	S	6.14
G	16-Jan	9	0.41	8	Mostly cloudy	25	45	V	5.52
G	16-Jan	9	0.41	8	Mostly cloudy	25	45	E	6.49
G	16-Jan	9	0.41	8	Mostly cloudy	25	60	N	
G	16-Jan	9	0.41	8	Mostly cloudy	25	60	S	
G	16-Jan	9	0.41	8	Mostly cloudy	25	60	V	
G	16-Jan	9	0.41	8	Mostly cloudy	25	60	E	
G	16-Jan	12	0.42	16	Mostly sunny	31	0	N	7.18
G	16-Jan	12	0.42	16	Mostly sunny	31	0	S	7.18
G	16-Jan	12	0.42	16	Mostly sunny	31	0	V	7.18
G	16-Jan	12	0.42	16	Mostly sunny	31	0	E	7.18
G	16-Jan	12	0.42	16	Mostly sunny	31	30	N	7.03
G	16-Jan	12	0.42	16	Mostly sunny	31	30	S	7.01
G	16-Jan	12	0.42	16	Mostly sunny	31	30	V	6.98

G	16-Jan	12	0.42	16	Mostly sunny	31	30	E	6.75
G	16-Jan	12	0.42	16	Mostly sunny	31	45	N	6.91
G	16-Jan	12	0.42	16	Mostly sunny	31	45	S	6.93
G	16-Jan	12	0.42	16	Mostly sunny	31	45	V	6.94
G	16-Jan	12	0.42	16	Mostly sunny	31	45	E	6.70
G	16-Jan	12	0.42	16	Mostly sunny	31	60	N	
G	16-Jan	12	0.42	16	Mostly sunny	31	60	S	
G	16-Jan	12	0.42	16	Mostly sunny	31	60	V	
G	16-Jan	12	0.42	16	Mostly sunny	31	60	E	
G	16-Jan	17	0.38	18	Sunny	33	0	N	6.60
G	16-Jan	17	0.38	18	Sunny	33	0	S	6.60
G	16-Jan	17	0.38	18	Sunny	33	0	V	6.60
G	16-Jan	17	0.38	18	Sunny	33	0	E	6.60
G	16-Jan	17	0.38	18	Sunny	33	30	N	6.46
G	16-Jan	17	0.38	18	Sunny	33	30	S	6.53
G	16-Jan	17	0.38	18	Sunny	33	30	V	6.73
G	16-Jan	17	0.38	18	Sunny	33	30	E	6.05
G	16-Jan	17	0.38	18	Sunny	33	45	N	6.45
G	16-Jan	17	0.38	18	Sunny	33	45	S	6.49
G	16-Jan	17	0.38	18	Sunny	33	45	V	6.75
G	16-Jan	17	0.38	18	Sunny	33	45	E	6.08
G	16-Jan	17	0.38	18	Sunny	33	60	N	
G	16-Jan	17	0.38	18	Sunny	33	60	S	
G	16-Jan	17	0.38	18	Sunny	33	60	V	
G	16-Jan	17	0.38	18	Sunny	33	60	E	
G	17-Jan	9	0.41	8	Mostly cloudy	33	0	N	6.70
G	17-Jan	9	0.41	8	Mostly cloudy	33	0	S	6.70
G	17-Jan	9	0.41	8	Mostly cloudy	33	0	V	6.70
G	17-Jan	9	0.41	8	Mostly cloudy	33	0	E	6.70

G	17-Jan	9	0.41	8	Mostly cloudy	33	30	N	6.50
G	17-Jan	9	0.41	8	Mostly cloudy	33	30	S	6.58
G	17-Jan	9	0.41	8	Mostly cloudy	33	30	V	6.03
G	17-Jan	9	0.41	8	Mostly cloudy	33	30	E	6.80
G	17-Jan	9	0.41	8	Mostly cloudy	33	45	N	5.86
G	17-Jan	9	0.41	8	Mostly cloudy	33	45	S	6.60
G	17-Jan	9	0.41	8	Mostly cloudy	33	45	V	6.02
G	17-Jan	9	0.41	8	Mostly cloudy	33	45	E	6.79
G	17-Jan	9	0.41	8	Mostly cloudy	33	60	N	
G	17-Jan	9	0.41	8	Mostly cloudy	33	60	S	
G	17-Jan	9	0.41	8	Mostly cloudy	33	60	V	
G	17-Jan	9	0.41	8	Mostly cloudy	33	60	E	
G	17-Jan	12	0.42	16	Mostly cloudy	30	0	N	6.15
G	17-Jan	12	0.42	16	Mostly cloudy	30	0	S	6.15
G	17-Jan	12	0.42	16	Mostly cloudy	30	0	V	6.15
G	17-Jan	12	0.42	16	Mostly cloudy	30	0	E	6.15
G	17-Jan	12	0.42	16	Mostly cloudy	30	30	N	6.19
G	17-Jan	12	0.42	16	Mostly cloudy	30	30	S	5.86
G	17-Jan	12	0.42	16	Mostly cloudy	30	30	V	5.66
G	17-Jan	12	0.42	16	Mostly cloudy	30	30	E	5.83
G	17-Jan	12	0.42	16	Mostly cloudy	30	45	N	6.08
G	17-Jan	12	0.42	16	Mostly cloudy	30	45	S	5.64
G	17-Jan	12	0.42	16	Mostly cloudy	30	45	V	5.47
G	17-Jan	12	0.42	16	Mostly cloudy	30	45	E	5.78
G	17-Jan	12	0.42	16	Mostly cloudy	30	60	N	
G	17-Jan	12	0.42	16	Mostly cloudy	30	60	S	
G	17-Jan	12	0.42	16	Mostly cloudy	30	60	V	
G	17-Jan	12	0.42	16	Mostly cloudy	30	60	E	
G	17-Jan	17	0.38	18	Cloudy	27	0	N	6.29

G	17-Jan	17	0.38	18	Cloudy	27	0	S	6.29
G	17-Jan	17	0.38	18	Cloudy	27	0	V	6.29
G	17-Jan	17	0.38	18	Cloudy	27	0	E	6.29
G	17-Jan	17	0.38	18	Cloudy	27	30	N	6.33
G	17-Jan	17	0.38	18	Cloudy	27	30	S	5.96
G	17-Jan	17	0.38	18	Cloudy	27	30	V	6.19
G	17-Jan	17	0.38	18	Cloudy	27	30	E	5.23
G	17-Jan	17	0.38	18	Cloudy	27	45	N	6.18
G	17-Jan	17	0.38	18	Cloudy	27	45	S	5.88
G	17-Jan	17	0.38	18	Cloudy	27	45	V	6.29
G	17-Jan	17	0.38	18	Cloudy	27	45	E	3.98
G	17-Jan	17	0.38	18	Cloudy	27	60	N	
G	17-Jan	17	0.38	18	Cloudy	27	60	S	
G	17-Jan	17	0.38	18	Cloudy	27	60	V	
G	17-Jan	17	0.38	18	Cloudy	27	60	E	
G	18-Jan	9	0.41	8	cloudy	24	0	N	4.77
G	18-Jan	9	0.41	8	cloudy	24	0	S	4.77
G	18-Jan	9	0.41	8	cloudy	24	0	V	4.77
G	18-Jan	9	0.41	8	cloudy	24	0	E	4.77
G	18-Jan	9	0.41	8	cloudy	24	30	N	3.26
G	18-Jan	9	0.41	8	cloudy	24	30	S	4.62
G	18-Jan	9	0.41	8	cloudy	24	30	V	4.73
G	18-Jan	9	0.41	8	cloudy	24	30	E	3.62
G	18-Jan	9	0.41	8	cloudy	24	45	N	2.75
G	18-Jan	9	0.41	8	cloudy	24	45	S	4.47
G	18-Jan	9	0.41	8	cloudy	24	45	V	4.35
G	18-Jan	9	0.41	8	cloudy	24	45	E	3.40
G	18-Jan	9	0.41	8	cloudy	24	60	N	
G	18-Jan	9	0.41	8	cloudy	24	60	S	

G	18-Jan	9	0.41	8	cloudy	24	60	V	
G	18-Jan	9	0.41	8	cloudy	24	60	E	
G	18-Jan	12	0.42	16	cloudy	23	0	N	5.28
G	18-Jan	12	0.42	16	cloudy	23	0	S	5.28
G	18-Jan	12	0.42	16	cloudy	23	0	V	5.28
G	18-Jan	12	0.42	16	cloudy	23	0	E	5.28
G	18-Jan	12	0.42	16	cloudy	23	30	N	5.26
G	18-Jan	12	0.42	16	cloudy	23	30	S	5.09
G	18-Jan	12	0.42	16	cloudy	23	30	V	5.58
G	18-Jan	12	0.42	16	cloudy	23	30	E	5.82
G	18-Jan	12	0.42	16	cloudy	23	45	N	5.31
G	18-Jan	12	0.42	16	cloudy	23	45	S	4.60
G	18-Jan	12	0.42	16	cloudy	23	45	V	5.47
G	18-Jan	12	0.42	16	cloudy	23	45	E	5.78
G	18-Jan	12	0.42	16	cloudy	23	60	N	6.85
G	18-Jan	12	0.42	16	cloudy	23	60	S	6.85
G	18-Jan	12	0.42	16	cloudy	23	60	V	6.85
G	18-Jan	12	0.42	16	cloudy	23	60	E	6.85
G	18-Jan	17	0.38	18	mostly cloudy	26	0	N	
G	18-Jan	17	0.38	18	mostly cloudy	26	0	S	
G	18-Jan	17	0.38	18	mostly cloudy	26	0	V	
G	18-Jan	17	0.38	18	mostly cloudy	26	0	E	
G	18-Jan	17	0.38	18	mostly cloudy	26	30	N	6.45
G	18-Jan	17	0.38	18	mostly cloudy	26	30	S	6.18
G	18-Jan	17	0.38	18	mostly cloudy	26	30	V	6.39
G	18-Jan	17	0.38	18	mostly cloudy	26	30	E	5.69
G	18-Jan	17	0.38	18	mostly cloudy	26	45	N	6.50
G	18-Jan	17	0.38	18	mostly cloudy	26	45	S	6.17
G	18-Jan	17	0.38	18	mostly cloudy	26	45	V	6.44

G	18-Jan	17	0.38	18	mostly cloudy	26	45	E	4.72
G	18-Jan	17	0.38	18	mostly cloudy	26	60	N	
G	18-Jan	17	0.38	18	mostly cloudy	26	60	S	
G	18-Jan	17	0.38	18	mostly cloudy	26	60	V	
G	18-Jan	17	0.38	18	mostly cloudy	26	60	E	
G	19-Jan	9	0.49	21	mostly cloudy	21	0	N	6.39
G	19-Jan	9	0.49	21	mostly cloudy	21	0	S	6.39
G	19-Jan	9	0.49	21	mostly cloudy	21	0	V	6.39
G	19-Jan	9	0.49	21	mostly cloudy	21	0	E	6.39
G	19-Jan	9	0.49	21	mostly cloudy	21	30	N	6.09
G	19-Jan	9	0.49	21	mostly cloudy	21	30	S	6.41
G	19-Jan	9	0.49	21	mostly cloudy	21	30	V	6.27
G	19-Jan	9	0.49	21	mostly cloudy	21	30	E	7.08
G	19-Jan	9	0.49	21	mostly cloudy	21	45	N	5.83
G	19-Jan	9	0.49	21	mostly cloudy	21	45	S	6.39
G	19-Jan	9	0.49	21	mostly cloudy	21	45	V	6.43
G	19-Jan	9	0.49	21	mostly cloudy	21	45	E	6.85
G	19-Jan	9	0.49	21	mostly cloudy	21	60	N	
G	19-Jan	9	0.49	21	mostly cloudy	21	60	S	
G	19-Jan	9	0.49	21	mostly cloudy	21	60	V	
G	19-Jan	9	0.49	21	mostly cloudy	21	60	E	
G	19-Jan	12	0.46	23	sunny	22	0	N	7.26
G	19-Jan	12	0.46	23	sunny	22	0	S	7.26
G	19-Jan	12	0.46	23	sunny	22	0	V	7.26
G	19-Jan	12	0.46	23	sunny	22	0	E	7.26
G	19-Jan	12	0.46	23	sunny	22	30	N	7.03
G	19-Jan	12	0.46	23	sunny	22	30	S	6.98
G	19-Jan	12	0.46	23	sunny	22	30	V	6.88
G	19-Jan	12	0.46	23	sunny	22	30	E	6.97

G	19-Jan	12	0.46	23	sunny	22	45	N	7.01
G	19-Jan	12	0.46	23	sunny	22	45	S	6.93
G	19-Jan	12	0.46	23	sunny	22	45	V	6.71
G	19-Jan	12	0.46	23	sunny	22	45	E	6.96
G	19-Jan	12	0.46	23	sunny	22	60	N	
G	19-Jan	12	0.46	23	sunny	22	60	S	
G	19-Jan	12	0.46	23	sunny	22	60	V	
G	19-Jan	12	0.46	23	sunny	22	60	E	
G	19-Jan	17	0.44	32	sunny	24	0	N	7.07
G	19-Jan	17	0.44	32	sunny	24	0	S	7.07
G	19-Jan	17	0.44	32	sunny	24	0	V	7.07
G	19-Jan	17	0.44	32	sunny	24	0	E	7.07
G	19-Jan	17	0.44	32	sunny	24	30	N	6.87
G	19-Jan	17	0.44	32	sunny	24	30	S	6.97
G	19-Jan	17	0.44	32	sunny	24	30	V	7.12
G	19-Jan	17	0.44	32	sunny	24	30	E	6.47
G	19-Jan	17	0.44	32	sunny	24	45	N	6.82
G	19-Jan	17	0.44	32	sunny	24	45	S	6.90
G	19-Jan	17	0.44	32	sunny	24	45	V	7.10
G	19-Jan	17	0.44	32	sunny	24	45	E	4.78
G	19-Jan	17	0.44	32	sunny	24	60	N	
G	19-Jan	17	0.44	32	sunny	24	60	S	
G	19-Jan	17	0.44	32	sunny	24	60	V	
G	19-Jan	17	0.44	32	sunny	24	60	E	
G	21-Jan	9	0.59	14	sunny	24	0	N	6.88
G	21-Jan	9	0.59	14	sunny	24	0	S	6.88
G	21-Jan	9	0.59	14	sunny	24	0	V	6.88
G	21-Jan	9	0.59	14	sunny	24	0	E	6.88
G	21-Jan	9	0.59	14	sunny	24	30	N	6.81

G	21-Jan	9	0.59	14	sunny	24	30	S	6.90
G	21-Jan	9	0.59	14	sunny	24	30	V	5.73
G	21-Jan	9	0.59	14	sunny	24	30	E	7.07
G	21-Jan	9	0.59	14	sunny	24	45	N	6.75
G	21-Jan	9	0.59	14	sunny	24	45	S	6.83
G	21-Jan	9	0.59	14	sunny	24	45	V	5.33
G	21-Jan	9	0.59	14	sunny	24	45	E	7.09
G	21-Jan	9	0.59	14	sunny	24	60	N	6.70
G	21-Jan	9	0.59	14	sunny	24	60	S	6.65
G	21-Jan	9	0.59	14	sunny	24	60	V	5.45
G	21-Jan	9	0.59	14	sunny	24	60	E	7.13
G	21-Jan	12	0.47	24	sunny	28	0	N	7.14
G	21-Jan	12	0.47	24	sunny	28	0	S	7.14
G	21-Jan	12	0.47	24	sunny	28	0	V	7.14
G	21-Jan	12	0.47	24	sunny	28	0	E	7.14
G	21-Jan	12	0.47	24	sunny	28	30	N	7.10
G	21-Jan	12	0.47	24	sunny	28	30	S	6.89
G	21-Jan	12	0.47	24	sunny	28	30	V	6.91
G	21-Jan	12	0.47	24	sunny	28	30	E	7.04
G	21-Jan	12	0.47	24	sunny	28	45	N	7.03
G	21-Jan	12	0.47	24	sunny	28	45	S	6.76
G	21-Jan	12	0.47	24	sunny	28	45	V	6.72
G	21-Jan	12	0.47	24	sunny	28	45	E	6.99
G	21-Jan	12	0.47	24	sunny	28	60	N	7.01
G	21-Jan	12	0.47	24	sunny	28	60	S	6.63
G	21-Jan	12	0.47	24	sunny	28	60	V	6.40
G	21-Jan	12	0.47	24	sunny	28	60	E	6.97
G	21-Jan	17	0.49	35	sunny	26	0	N	7.04
G	21-Jan	17	0.49	35	sunny	26	0	S	7.04

G	21-Jan	17	0.49	35	sunny	26	0	V	7.04
G	21-Jan	17	0.49	35	sunny	26	0	E	7.04
G	21-Jan	17	0.49	35	sunny	26	30	N	6.78
G	21-Jan	17	0.49	35	sunny	26	30	S	6.78
G	21-Jan	17	0.49	35	sunny	26	30	V	7.06
G	21-Jan	17	0.49	35	sunny	26	30	E	6.25
G	21-Jan	17	0.49	35	sunny	26	45	N	6.64
G	21-Jan	17	0.49	35	sunny	26	45	S	6.74
G	21-Jan	17	0.49	35	sunny	26	45	V	7.05
G	21-Jan	17	0.49	35	sunny	26	45	E	4.83
G	21-Jan	17	0.49	35	sunny	26	60	N	6.53
G	21-Jan	17	0.49	35	sunny	26	60	S	6.69
G	21-Jan	17	0.49	35	sunny	26	60	V	7.02
G	21-Jan	17	0.49	35	sunny	26	60	E	4.72
G	22-Jan	9			sunny	24	0	N	6.96
G	22-Jan	9			sunny	28	0	S	6.96
G	22-Jan	9			sunny	28	0	V	6.96
G	22-Jan	9			sunny	28	0	E	6.96
G	22-Jan	9			sunny	28	30	N	6.75
G	22-Jan	9			sunny	28	30	S	6.93
G	22-Jan	9			sunny	28	30	V	5.24
G	22-Jan	9			sunny	28	30	E	7.04
G	22-Jan	9			sunny	28	45	N	6.63
G	22-Jan	9			sunny	28	45	S	6.91
G	22-Jan	9			sunny	28	45	V	5.28
G	22-Jan	9			sunny	28	45	E	7.11
G	22-Jan	9			sunny	28	60	N	6.34
G	22-Jan	9			sunny	28	60	S	6.90
G	22-Jan	9			sunny	28	60	V	5.40

G	22-Jan	9			sunny	28	60	E	7.08
G	22-Jan	12			sunny	31	0	N	7.09
G	22-Jan	12			sunny	31	0	S	7.09
G	22-Jan	12			sunny	31	0	V	7.09
G	22-Jan	12			sunny	31	0	E	7.09
G	22-Jan	12			sunny	31	30	N	6.98
G	22-Jan	12			sunny	31	30	S	6.69
G	22-Jan	12			sunny	31	30	V	6.80
G	22-Jan	12			sunny	31	30	E	6.92
G	22-Jan	12			sunny	31	45	N	6.91
G	22-Jan	12			sunny	31	45	S	6.61
G	22-Jan	12			sunny	31	45	V	6.65
G	22-Jan	12			sunny	31	45	E	6.89
G	22-Jan	12			sunny	31	60	N	
G	22-Jan	12			sunny	31	60	S	
G	22-Jan	12			sunny	31	60	V	
G	22-Jan	12			sunny	31	60	E	
G	22-Jan	17			sunny	28	0	N	7.00
G	22-Jan	17			sunny	28	0	S	7.00
G	22-Jan	17			sunny	28	0	V	7.00
G	22-Jan	17			sunny	28	0	E	7.00
G	22-Jan	17			sunny	28	30	N	6.94
G	22-Jan	17			sunny	28	30	S	6.75
G	22-Jan	17			sunny	28	30	V	6.98
G	22-Jan	17			sunny	28	30	E	5.69
G	22-Jan	17			sunny	28	45	N	6.91
G	22-Jan	17			sunny	28	45	S	6.64
G	22-Jan	17			sunny	28	45	V	6.97
G	22-Jan	17			sunny	28	45	E	5.42

G	22-Jan	17			sunny	28	60	N	
G	22-Jan	17			sunny	28	60	S	
G	22-Jan	17			sunny	28	60	V	
G	22-Jan	17			sunny	28	60	E	
G	23-Jan	9	0.61	6	mostly sunny	21	0	N	6.81
G	23-Jan	9	0.61	6	mostly sunny	21	0	S	6.81
G	23-Jan	9	0.61	6	mostly sunny	21	0	V	6.81
G	23-Jan	9	0.61	6	mostly sunny	21	0	E	6.81
G	23-Jan	9	0.61	6	mostly sunny	21	30	N	6.47
G	23-Jan	9	0.61	6	mostly sunny	21	30	S	6.54
G	23-Jan	9	0.61	6	mostly sunny	21	30	V	5.81
G	23-Jan	9	0.61	6	mostly sunny	21	30	E	6.94
G	23-Jan	9	0.61	6	mostly sunny	21	45	N	6.45
G	23-Jan	9	0.61	6	mostly sunny	21	45	S	6.39
G	23-Jan	9	0.61	6	mostly sunny	21	45	V	5.54
G	23-Jan	9	0.61	6	mostly sunny	21	45	E	6.91
G	23-Jan	9	0.61	6	mostly sunny	21	60	N	
G	23-Jan	9	0.61	6	mostly sunny	21	60	S	
G	23-Jan	9	0.61	6	mostly sunny	21	60	V	
G	23-Jan	9	0.61	6	mostly sunny	21	60	E	
G	23-Jan	12	0.52	13	mostly cloudy	25	0	N	7.08
G	23-Jan	12	0.52	13	mostly cloudy	25	0	S	7.08
G	23-Jan	12	0.52	13	mostly cloudy	25	0	V	7.08
G	23-Jan	12	0.52	13	mostly cloudy	25	0	E	7.08
G	23-Jan	12	0.52	13	mostly cloudy	25	30	N	6.79
G	23-Jan	12	0.52	13	mostly cloudy	25	30	S	5.89
G	23-Jan	12	0.52	13	mostly cloudy	25	30	V	6.69
G	23-Jan	12	0.52	13	mostly cloudy	25	30	E	5.64
G	23-Jan	12	0.52	13	mostly cloudy	25	45	N	6.73

G	23-Jan	12	0.52	13	mostly cloudy	25	45	S	5.75
G	23-Jan	12	0.52	13	mostly cloudy	25	45	V	6.67
G	23-Jan	12	0.52	13	mostly cloudy	25	45	E	5.60
G	23-Jan	12	0.52	13	mostly cloudy	25	60	N	
G	23-Jan	12	0.52	13	mostly cloudy	25	60	S	
G	23-Jan	12	0.52	13	mostly cloudy	25	60	V	
G	23-Jan	12	0.52	13	mostly cloudy	25	60	E	
G	23-Jan	17	0.51	21	mostly cloudy	26	0	N	5.48
G	23-Jan	17	0.51	21	mostly cloudy	26	0	S	5.48
G	23-Jan	17	0.51	21	mostly cloudy	26	0	V	5.48
G	23-Jan	17	0.51	21	mostly cloudy	26	0	E	5.48
G	23-Jan	17	0.51	21	mostly cloudy	26	30	N	5.30
G	23-Jan	17	0.51	21	mostly cloudy	26	30	S	5.61
G	23-Jan	17	0.51	21	mostly cloudy	26	30	V	5.68
G	23-Jan	17	0.51	21	mostly cloudy	26	30	E	1.99
G	23-Jan	17	0.51	21	mostly cloudy	26	45	N	5.08
G	23-Jan	17	0.51	21	mostly cloudy	26	45	S	5.60
G	23-Jan	17	0.51	21	mostly cloudy	26	45	V	5.74
G	23-Jan	17	0.51	21	mostly cloudy	26	45	E	2.45
G	23-Jan	17	0.51	21	mostly cloudy	26	60	N	
G	23-Jan	17	0.51	21	mostly cloudy	26	60	S	
G	23-Jan	17	0.51	21	mostly cloudy	26	60	V	
G	23-Jan	17	0.51	21	mostly cloudy	26	60	E	
G	24-Jan	9	0.63	11	sunny	24	0	N	6.78
G	24-Jan	9	0.63	11	sunny	24	0	S	6.78
G	24-Jan	9	0.63	11	sunny	24	0	V	6.78
G	24-Jan	9	0.63	11	sunny	24	0	E	6.78
G	24-Jan	9	0.63	11	sunny	24	30	N	6.46
G	24-Jan	9	0.63	11	sunny	24	30	S	6.68

G	24-Jan	9	0.63	11	sunny	24	30	V	5.28
G	24-Jan	9	0.63	11	sunny	24	30	E	6.93
G	24-Jan	9	0.63	11	sunny	24	45	N	5.96
G	24-Jan	9	0.63	11	sunny	24	45	S	6.62
G	24-Jan	9	0.63	11	sunny	24	45	V	5.08
G	24-Jan	9	0.63	11	sunny	24	45	E	6.91
G	24-Jan	9	0.63	11	sunny	24	60	N	
G	24-Jan	9	0.63	11	sunny	24	60	S	
G	24-Jan	9	0.63	11	sunny	24	60	V	
G	24-Jan	9	0.63	11	sunny	24	60	E	
G	24-Jan	12	0.62	23	sunny	25	0	N	7.12
G	24-Jan	12	0.62	23	sunny	25	0	S	7.12
G	24-Jan	12	0.62	23	sunny	25	0	V	7.12
G	24-Jan	12	0.62	23	sunny	25	0	E	7.12
G	24-Jan	12	0.62	23	sunny	25	30	N	7.05
G	24-Jan	12	0.62	23	sunny	25	30	S	6.84
G	24-Jan	12	0.62	23	sunny	25	30	V	6.77
G	24-Jan	12	0.62	23	sunny	25	30	E	6.94
G	24-Jan	12	0.62	23	sunny	25	45	N	6.98
G	24-Jan	12	0.62	23	sunny	25	45	S	6.73
G	24-Jan	12	0.62	23	sunny	25	45	V	6.70
G	24-Jan	12	0.62	23	sunny	25	45	E	6.91
G	24-Jan	12	0.62	23	sunny	25	60	N	
G	24-Jan	12	0.62	23	sunny	25	60	S	
G	24-Jan	12	0.62	23	sunny	25	60	V	
G	24-Jan	12	0.62	23	sunny	25	60	E	
G	24-Jan	17	0.54	29	sunny	28	0	N	7.00
G	24-Jan	17	0.54	29	sunny	28	0	S	7.00
G	24-Jan	17	0.54	29	sunny	28	0	V	7.00

G	24-Jan	17	0.54	29	sunny	28	0	E	7.00
G	24-Jan	17	0.54	29	sunny	28	30	N	6.92
G	24-Jan	17	0.54	29	sunny	28	30	S	6.85
G	24-Jan	17	0.54	29	sunny	28	30	V	6.92
G	24-Jan	17	0.54	29	sunny	28	30	E	6.13
G	24-Jan	17	0.54	29	sunny	28	45	N	6.78
G	24-Jan	17	0.54	29	sunny	28	45	S	6.83
G	24-Jan	17	0.54	29	sunny	28	45	V	6.90
G	24-Jan	17	0.54	29	sunny	28	45	E	5.02
G	24-Jan	17	0.54	29	sunny	28	60	N	
G	24-Jan	17	0.54	29	sunny	28	60	S	
G	24-Jan	17	0.54	29	sunny	28	60	V	
G	24-Jan	17	0.54	29	sunny	28	60	E	
G	25-Jan	9	0.61	6	sunny	22	0	N	6.99
G	25-Jan	9	0.61	6	sunny	22	0	S	6.99
G	25-Jan	9	0.61	6	sunny	22	0	V	6.99
G	25-Jan	9	0.61	6	sunny	22	0	E	6.99
G	25-Jan	9	0.61	6	sunny	22	30	N	6.61
G	25-Jan	9	0.61	6	sunny	22	30	S	6.74
G	25-Jan	9	0.61	6	sunny	22	30	V	4.92
G	25-Jan	9	0.61	6	sunny	22	30	E	7.18
G	25-Jan	9	0.61	6	sunny	22	45	N	6.69
G	25-Jan	9	0.61	6	sunny	22	45	S	6.96
G	25-Jan	9	0.61	6	sunny	22	45	V	5.36
G	25-Jan	9	0.61	6	sunny	22	45	E	7.09
G	25-Jan	9	0.61	6	sunny	22	60	N	
G	25-Jan	9	0.61	6	sunny	22	60	S	
G	25-Jan	9	0.61	6	sunny	22	60	V	
G	25-Jan	9	0.61	6	sunny	22	60	E	

G	25-Jan	12	0.57	19	sunny	30	0	N	6.96
G	25-Jan	12	0.57	19	sunny	30	0	S	6.96
G	25-Jan	12	0.57	19	sunny	30	0	V	6.96
G	25-Jan	12	0.57	19	sunny	30	0	E	6.96
G	25-Jan	12	0.57	19	sunny	30	30	N	6.92
G	25-Jan	12	0.57	19	sunny	30	30	S	6.77
G	25-Jan	12	0.57	19	sunny	30	30	V	6.71
G	25-Jan	12	0.57	19	sunny	30	30	E	6.86
G	25-Jan	12	0.57	19	sunny	30	45	N	6.89
G	25-Jan	12	0.57	19	sunny	30	45	S	6.63
G	25-Jan	12	0.57	19	sunny	30	45	V	6.41
G	25-Jan	12	0.57	19	sunny	30	45	E	6.84
G	25-Jan	12	0.57	19	sunny	30	60	N	
G	25-Jan	12	0.57	19	sunny	30	60	S	
G	25-Jan	12	0.57	19	sunny	30	60	V	
G	25-Jan	12	0.57	19	sunny	30	60	E	
G	25-Jan	17	0.53	29	sunny	25	0	N	7.05
G	25-Jan	17	0.53	29	sunny	25	0	S	7.05
G	25-Jan	17	0.53	29	sunny	25	0	V	7.05
G	25-Jan	17	0.53	29	sunny	25	0	E	7.05
G	25-Jan	17	0.53	29	sunny	25	30	N	6.92
G	25-Jan	17	0.53	29	sunny	25	30	S	6.97
G	25-Jan	17	0.53	29	sunny	25	30	V	7.11
G	25-Jan	17	0.53	29	sunny	25	30	E	6.54
G	25-Jan	17	0.53	29	sunny	25	45	N	6.81
G	25-Jan	17	0.53	29	sunny	25	45	S	6.93
G	25-Jan	17	0.53	29	sunny	25	45	V	7.13
G	25-Jan	17	0.53	29	sunny	25	45	E	5.19
G	25-Jan	17	0.53	29	sunny	25	60	N	

G	25-Jan	17	0.53	29	sunny	25	60	S	
G	25-Jan	17	0.53	29	sunny	25	60	V	
G	25-Jan	17	0.53	29	sunny	25	60	E	
G	26-Jan	9	0.73	13	mostly sunny	21	0	N	6.70
G	26-Jan	9	0.73	13	mostly sunny	21	0	S	6.70
G	26-Jan	9	0.73	13	mostly sunny	21	0	V	6.70
G	26-Jan	9	0.73	13	mostly sunny	21	0	E	6.70
G	26-Jan	9	0.73	13	mostly sunny	21	30	N	6.85
G	26-Jan	9	0.73	13	mostly sunny	21	30	S	6.65
G	26-Jan	9	0.73	13	mostly sunny	21	30	V	5.24
G	26-Jan	9	0.73	13	mostly sunny	21	30	E	7.14
G	26-Jan	9	0.73	13	mostly sunny	21	45	N	6.74
G	26-Jan	9	0.73	13	mostly sunny	21	45	S	6.55
G	26-Jan	9	0.73	13	mostly sunny	21	45	V	5.26
G	26-Jan	9	0.73	13	mostly sunny	21	45	E	7.16
G	26-Jan	9	0.73	13	mostly sunny	21	60	N	
G	26-Jan	9	0.73	13	mostly sunny	21	60	S	
G	26-Jan	9	0.73	13	mostly sunny	21	60	V	
G	26-Jan	9	0.73	13	mostly sunny	21	60	E	
G	26-Jan	12	0.55	23	sunny	23	0	N	7.10
G	26-Jan	12	0.55	23	sunny	23	0	S	7.10
G	26-Jan	12	0.55	23	sunny	23	0	V	7.10
G	26-Jan	12	0.55	23	sunny	23	0	E	7.10
G	26-Jan	12	0.55	23	sunny	23	30	N	7.07
G	26-Jan	12	0.55	23	sunny	23	30	S	6.81
G	26-Jan	12	0.55	23	sunny	23	30	V	6.74
G	26-Jan	12	0.55	23	sunny	23	30	E	7.03
G	26-Jan	12	0.55	23	sunny	23	45	N	7.04
G	26-Jan	12	0.55	23	sunny	23	45	S	6.54

G	26-Jan	12	0.55	23	sunny	23	45	V	6.63
G	26-Jan	12	0.55	23	sunny	23	45	E	7.01
G	26-Jan	12	0.55	23	sunny	23	60	N	
G	26-Jan	12	0.55	23	sunny	23	60	S	
G	26-Jan	12	0.55	23	sunny	23	60	V	
G	26-Jan	12	0.55	23	sunny	23	60	E	
G	26-Jan	17	0.45	24			0	N	
G	26-Jan	17	0.45	24			0	S	
G	26-Jan	17	0.45	24			0	V	
G	26-Jan	17	0.45	24			0	E	
G	26-Jan	17	0.45	24			30	N	
G	26-Jan	17	0.45	24			30	S	
G	26-Jan	17	0.45	24			30	V	
G	26-Jan	17	0.45	24			30	E	
G	26-Jan	17	0.45	24			45	N	
G	26-Jan	17	0.45	24			45	S	
G	26-Jan	17	0.45	24			45	V	
G	26-Jan	17	0.45	24			45	E	
G	26-Jan	17	0.45	24			60	N	
G	26-Jan	17	0.45	24			60	S	
G	26-Jan	17	0.45	24			60	V	
G	26-Jan	17	0.45	24			60	E	
G	27-Jan	9	0.40	14	sunny	29	0	N	6.77
G	27-Jan	9	0.40	14	sunny	29	0	S	6.77
G	27-Jan	9	0.40	14	sunny	29	0	V	6.77
G	27-Jan	9	0.40	14	sunny	29	0	E	6.77
G	27-Jan	9	0.40	14	sunny	29	30	N	6.59
G	27-Jan	9	0.40	14	sunny	29	30	S	6.36
G	27-Jan	9	0.40	14	sunny	29	30	V	5.05

G	27-Jan	9	0.40	14	sunny	29	30	E	6.86
G	27-Jan	9	0.40	14	sunny	29	45	N	6.53
G	27-Jan	9	0.40	14	sunny	29	45	S	6.32
G	27-Jan	9	0.40	14	sunny	29	45	V	5.18
G	27-Jan	9	0.40	14	sunny	29	45	E	6.88
G	27-Jan	9	0.40	14	sunny	29	60	N	
G	27-Jan	9	0.40	14	sunny	29	60	S	
G	27-Jan	9	0.40	14	sunny	29	60	V	
G	27-Jan	9	0.40	14	sunny	29	60	E	
G	27-Jan	12	0.37	16	sunny	30	0	N	7.02
G	27-Jan	12	0.37	16	sunny	30	0	S	7.02
G	27-Jan	12	0.37	16	sunny	30	0	V	7.02
G	27-Jan	12	0.37	16	sunny	30	0	E	7.02
G	27-Jan	12	0.37	16	sunny	30	30	N	6.99
G	27-Jan	12	0.37	16	sunny	30	30	S	6.68
G	27-Jan	12	0.37	16	sunny	30	30	V	6.94
G	27-Jan	12	0.37	16	sunny	30	30	E	6.73
G	27-Jan	12	0.37	16	sunny	30	45	N	6.96
G	27-Jan	12	0.37	16	sunny	30	45	S	6.54
G	27-Jan	12	0.37	16	sunny	30	45	V	6.92
G	27-Jan	12	0.37	16	sunny	30	45	E	6.58
G	27-Jan	12	0.37	16	sunny	30	60	N	
G	27-Jan	12	0.37	16	sunny	30	60	S	
G	27-Jan	12	0.37	16	sunny	30	60	V	
G	27-Jan	12	0.37	16	sunny	30	60	E	
G	27-Jan	17	0.29	11	mostly sunny	31	0	N	6.67
G	27-Jan	17	0.29	11	mostly sunny	31	0	S	6.67
G	27-Jan	17	0.29	11	mostly sunny	31	0	V	6.67
G	27-Jan	17	0.29	11	mostly sunny	31	0	E	6.67

G	27-Jan	17	0.29	11	mostly sunny	31	30	N	6.66
G	27-Jan	17	0.29	11	mostly sunny	31	30	S	6.81
G	27-Jan	17	0.29	11	mostly sunny	31	30	V	6.90
G	27-Jan	17	0.29	11	mostly sunny	31	30	E	6.03
G	27-Jan	17	0.29	11	mostly sunny	31	45	N	6.50
G	27-Jan	17	0.29	11	mostly sunny	31	45	S	6.77
G	27-Jan	17	0.29	11	mostly sunny	31	45	V	6.91
G	27-Jan	17	0.29	11	mostly sunny	31	45	E	4.90
G	27-Jan	17	0.29	11	mostly sunny	31	60	N	
G	27-Jan	17	0.29	11	mostly sunny	31	60	S	
G	27-Jan	17	0.29	11	mostly sunny	31	60	V	
G	27-Jan	17	0.29	11	mostly sunny	31	60	E	

Test 2 The West Lakes experiment

Venue	Date	Time	Humidity (%)	Wind (km/h)	Weather	Temp (°C)	DN	Direction	Angle (°)	Votage (V)
W	5-Feb	9	77	10	cloudy	22	1	N	0	6.85
									15	6.95
									30	6.49
									45	6.90
									60	6.70
							2	S	0	6.85
									15	6.70
									30	6.87
									45	6.88
									60	6.79
							3	W	0	6.85
									15	6.42
									30	5.66
									45	5.80
									60	5.90
							4	E	0	6.85
									15	6.96
									30	6.92
									45	7.13
									60	7.11
		12	52	24	sunny	26	1	N	0	7.18
									15	7.17
									30	7.06
									45	7.12
									60	6.96
							2	S	0	7.18
									15	6.88
									30	6.79
									45	6.69
									60	6.36
							3	W	0	7.18
									15	6.85
									30	6.71
									45	6.55
									60	6.39
							4	E	0	7.18
									15	6.81
									30	6.78
									45	6.73
									60	6.65
		17	46	23	sunny	29	1	N	0	6.89
									15	6.86
									30	6.86
									45	6.80
									60	6.69
							2	S	0	6.89
									15	6.79
									30	6.71
									45	6.69
									60	6.60
							3	W	0	6.89
									15	6.52
									30	5.86
									45	5.47
									60	5.60
							4	E	0	6.89
									15	6.79
									30	6.86
									45	6.88
									60	6.86

Venue	Date	Time	Humidity (%)	Wind (km/h)	Weather	Temp (°C)	DN	Direction	Angle (°)	Votage (V)
W	12-Feb	9:00	65	18	partly cloudy	18	1	N	0	6.97
									15	7.10
									30	5.27
									45	3.78
									60	2.91
							2	S	0	6.97
									15	6.80
									30	3.82
									45	6.24
									60	6.25
							3	W	0	6.97
									15	6.31
									30	5.93
									45	6.02
									60	5.93
							4	E	0	6.97
									15	6.28
									30	7.15
									45	7.17
									60	7.17
		12:00	52	31	partly cloudy	23	1	N	0	7.30
									15	7.26
									30	6.98
									45	6.89
									60	6.83
							2	S	0	7.30
									15	7.12
									30	6.75
									45	6.49
									60	6.29
							3	W	0	7.30
									15	7.01
									30	6.62
									45	6.42
									60	6.21
							4	E	0	7.30
									15	7.01
									30	6.81
									45	6.80
									60	6.72
		17:00	49	32	sunny	23	1	N	0	6.88
									15	6.84
									30	6.71
									45	6.58
									60	6.19
							2	S	0	6.88
									15	6.95
									30	6.79
									45	6.69
									60	6.55
							3	W	0	6.88
									15	6.97
									30	6.93
									45	6.95
									60	5.96
							4	E	0	6.88
									15	6.16
									30	5.61
									45	5.47
									60	5.33

Venue	Date	Time	Humidity (%)	Wind (km/h)	Weather	Temp (°C)	DN	Direction	Angle (°)	Votage (V)
W	26-Feb	9:00	78	13	cloudy	15	1	N	0	1.30
									15	1.40
									30	1.31
									45	1.34
									60	1.39
							2	S	0	1.30
									15	1.25
									30	0.72
									45	0.60
									60	0.48
							3	W	0	1.30
									15	1.42
									30	1.18
									45	1.02
									60	0.94
							4	E	0	1.30
									15	1.92
									30	1.96
									45	1.89
									60	1.73
		12:00	54	18	sunny	21	1	N	0	7.24
									15	7.11
									30	7.05
									45	7.01
									60	6.96
							2	S	0	7.24
									15	6.76
									30	6.65
									45	6.37
									60	6.09
							3	W	0	7.24
									15	6.69
									30	6.52
									45	6.34
									60	5.84
							4	E	0	7.24
									15	6.75
									30	6.76
									45	6.73
									60	6.67
		17:00	54	18	sunny	21	1	N	0	6.83
									15	6.86
									30	6.79
									45	6.86
									60	6.79
							2	S	0	6.83
									15	4.61
									30	4.61
									45	4.01
									60	4.58
							3	W	0	6.83
									15	6.95
									30	6.95
									45	6.98
									60	6.98
							4	E	0	6.83
									15	6.51
									30	5.55
									45	5.33
									60	5.46

Date	Time	Humidity (%)	Wind (km/h)	Weather	Temp (°C)	DN	Direction	Angle (°)	Votage (V)	
12-Mar	9:00	81	10	Sunny	16	1	N	0	6.97	
								15	7.01	
								30	6.88	
								45	6.77	
								60	6.36	
							2	S	0	6.97
									15	6.69
									30	6.54
									45	6.66
									60	5.99
							3	W	0	6.97
									15	6.51
									30	5.89
									45	5.96
									60	6.01
							4	E	0	6.97
									15	6.95
									30	6.73
									45	6.74
									60	7.06
	12:00	58	21	Sunny	20	1	N	0	7.26	
								15	7.2	
								30	7.02	
								45	7.01	
								60	6.88	
							2	S	0	7.26
									15	6.78
									30	6.58
									45	6.21
									60	6.04
							3	W	0	7.26
									15	6.76
									30	6.63
									45	6.45
									60	6.09
							4	E	0	7.26
									15	6.81
									30	6.75
									45	6.74
									60	6.65
	17:00	55	31	Sunny	21	1	N	0	6.93	
								15	6.93	
								30	6.92	
								45	6.91	
								60	6.88	
							2	S	0	6.93
									15	6.76
									30	6.68
									45	6.34
									60	5.98
							3	W	0	6.93
									15	6.81
									30	6.89
									45	6.91
									60	6.93
							4	E	0	6.93
									15	6.38
									30	5.14
									45	5.38
									60	5.38

Date	Time	Humidity (%)	Wind (km/h)	Weather	Temp (°C)	DN	Direction	Angle (°)	Votage (V)	
19-Mar	9:00	77	31	Cloudy	20	1	N	0	6.72	
								15	6.85	
								30	6.14	
								45	6.21	
								60	6.23	
							2	S	0	6.72
									15	6.72
									30	6.26
									45	6.15
									60	6.18
							3	W	0	6.72
									15	6.42
									30	5.85
									45	6.02
									60	6.08
							4	E	0	6.72
									15	6.75
									30	6.78
									45	6.71
									60	6.64
	12:00	58	34	Partly cloudy	25	1	N	0	7.12	
								15	7.11	
								30	7.00	
								45	6.92	
								60	6.87	
							2	S	0	7.12
									15	6.66
									30	5.58
									45	6.21
									60	5.82
							3	W	0	7.12
									15	6.69
									30	6.51
									45	6.19
									60	6.00
							4	E	0	7.12
									15	6.73
									30	6.71
									45	6.71
									60	6.66
	17:00					1	N	0		
								15		
								30		
								45		
								60		
							2	S	0	
									15	
									30	
									45	
									60	
							3	W	0	
									15	
									30	
									45	
									60	
							4	E	0	
									15	
									30	
									45	
									60	

Venue	Date	Time	Humidity (%)	Wind (km/h)	Weather	Temp (°C)	DN	Direction	Angle (°)	
W	9-Apr	9:00	75	13	Partly cloudy	25	1	N	0	7.09
									15	7.04
									30	6.91
									45	6.88
									60	7.00
							2	S	0	7.09
									15	6.80
									30	6.23
									45	3.69
									60	4.19
							3	W	0	7.09
									15	6.86
									30	6.13
									45	5.88
									60	5.78
							4	E	0	7.09
									15	6.84
									30	6.79
									45	6.69
									60	
		12:00	64	14	Partly cloudy	1	1	N	0	6.67
									15	6.7
									30	6.68
									45	6.65
									60	6.60
							2	S	0	6.67
									15	6.51
									30	6.12
									45	5.57
									60	5.09
							3	W	0	6.67
									15	6.63
									30	6.47
									45	6.32
									60	6.17
							4	E	0	6.67
									15	6.70
									30	6.67
									45	6.65
									60	7.03
		17:00	62	15	Cloudy(no sun)	17	1	N	0	1.17
									15	1.33
									30	1.39
									45	1.29
									60	1.30
							2	S	0	1.17
									15	0.90
									30	0.85
									45	0.59
									60	0.53
							3	W	0	1.17
									15	1.90
									30	0.87
									45	0.74
									60	0.60
							4	E	0	1.17
									15	1.45
									30	1.42
									45	1.31
									60	1.15

Venue	Date	Time	Humidity (%)	Wind (km/h)	Weather	Temp (°C)	DN	Direction	Angle (°)	
W	16-Apr	9:00	64	19	Cloudy	14	1	N	0	2.26
									15	2.43
									30	2.58
									45	2.40
									60	2.05
							2	S	0	2.26
									15	1.74
									30	0.62
									45	0.57
									60	0.48
							3	W	0	2.26
									15	1.96
									30	1.13
									45	0.93
									60	0.64
							4	E	0	2.42
									15	2.63
									30	2.78
									45	2.67
									60	2.64
		12:00	55	21	Sunny	16	1	N	0	7.16
									15	7.13
									30	7.14
									45	7.12
									60	7.09
							2	S	0	7.16
									15	6.76
									30	6.45
									45	5.75
									60	5.68
							3	W	0	7.16
									15	6.89
									30	6.80
									45	6.70
									60	6.57
							4	E	0	7.16
									15	6.84
									30	6.78
									45	6.76
									60	6.66
		17:00	54	16	No sun	17	1	N	0	0.68
									15	0.73
									30	0.74
									45	0.72
									60	0.63
							2	S	0	0.68
									15	0.49
									30	0.29
									45	0.21
									60	0.13
							3	W	0	0.68
									15	0.56
									30	0.43
									45	0.33
									60	0.23
							4	E	0	0.68
									15	0.77
									30	0.80
									45	0.80
									60	0.70

Venue	Date	Time	Humidity (%)	Wind (km/h)	Weather	Temp (°C)	DN	Direction	Angle (°)	
W	23-Apr	9:00	67	6	Partly cloudy	18	1	N	0	6.99
									15	7.02
									30	7.02
									45	6.97
									60	6.87
							2	S	0	6.99
									15	6.72
									30	6.35
									45	4.79
									60	3.81
							3	W	0	6.99
									15	6.63
									30	6.62
									45	5.36
									60	5.47
							4	E	0	6.99
									15	6.93
									30	7.04
									45	7.06
									60	7.04
		12:00					1	N	0	
									15	
									30	
									45	
									60	
							2	S	0	
									15	
									30	
									45	
									60	
							3	W	0	
									15	
									30	
									45	
									60	
							4	E	0	
									15	
									30	
									45	
									60	
		17:00	59	9	No sun	22	1	N	0	0.71
									15	0.90
									30	0.85
									45	0.79
									60	0.75
							2	S	0	0.71
									15	0.68
									30	0.39
									45	0.26
									60	0.21
							3	W	0	0.71
									15	0.72
									30	0.63
									45	0.54
									60	0.46
							4	E	0	0.71
									15	0.84
									30	0.82
									45	0.75
									60	0.61

Test 2 The Grange Experiment

Date	Time	Battery	Test Condition	Voltage	Difference	Relation	
01-Mar-23	Morning	No.1	0°	3.99			
	Morning	No.2	15°(N)	3.99			
	Night	No.1	0°	4.02	0.03		
	Night	No.2	15°(N)	4.00	0.01	0°	> 15°(N)
11-Mar-23	Morning	No.1	15°(N)	3.11			
	Morning	No.2	0°	3.09			
	Night	No.1	15°(N)	3.44	0.33		
	Night	No.2	0°	3.44	0.35	0°	> 15°(N)
15-Mar-23	Morning	No.1	15°(W)	3.76			
	Morning	No.2	0°	3.85			
	Night	No.1	15°(W)	3.79	0.03		
	Night	No.2	0°	3.89	0.04	0°	> 15°(W)
16-Mar-23	Morning	No.1	15° (W)	3.78			
	Morning	No.2	0°	3.78			
	Night	No.1	15°(W)	3.81	0.03		
	Night	No.2	0°	3.81	0.03	0°	= 15°(W)
17-Mar-23	Morning	No.1	0°	3.81			
	Morning	No.2	15° (W)	3.81			
	Night	No.1	0°	3.85	0.04		
	Night	No.2	15°(W)	3.84	0.03	0°	> 15°(W)
20-Mar-23	Morning	No.1	15°(E)	3.83			
	Morning	No.2	0°	3.83			
	Night	No.1	15° (E)	3.87	0.04		
	Night	No.2	0°	3.88	0.05	0°	> 15°(E)
22-Mar-23	Morning	No.1	0°	3.87			
	Morning	No.2	15°(E)	3.87			
	Night	No.1	0°	3.91	0.04		
	Night	No.2	15°(E)	3.90	0.03	0°	> 15°(E)
23-Mar-23	Morning	No.1	15°(S)	3.90			
	Morning	No.2	0°	3.90			
	Night	No.1	15° (S)	3.94	0.04		
	Night	No.2	0°	3.94	0.04	0°	= 15° (S)
24-Mar-23	Morning	No.1	0°	3.93			
	Morning	No.2	15° (S)	3.93			
	Night	No.1	0°	3.97	0.04		
	Night	No.2	15° (S)	3.96	0.03	0°	> 15° (S)
01-Apr-23	Morning	No.1	30° (N)	3.95			
	Morning	No.2	0°	3.96			
	Night	No.1	30° (N)	3.98	0.03		
	Night	No.2	0°	3.98	0.02	0°	< 30° (N)
02-Apr-23	Morning	No.1	0°	3.98			
	Morning	No.2	30° (N)	3.98			
	Night	No.1	0°	4.00	0.02		
	Night	No.2	30° (N)	4.02	0.04	0°	< 30° (N)
03-Apr-23	Morning	No.1	30° (N)	4.01			
	Morning	No.2	15°(N)	4.01			
	Night	No.1	30° (N)	4.04	0.03		
	Night	No.2	15°(N)	4.05	0.04	15°(N)	< 30° (N)
04-Apr-23	Morning	No.1	0°	4.04			
	Morning	No.2	30° (N)	4.04			
	Night	No.1	0°	4.06	0.02		
	Night	No.2	30° (N)	4.08	0.04	0°	< 30° (N)
10-Apr-23	Morning	No.1	15° (N)	3.95			
	Morning	No.2	30°(N)	3.95			
	Night	No.1	15° (N)	3.97	0.02		
	Night	No.2	30°(N)	3.98	0.03	15° (N)	< 30°(N)
18-Apr-23	Morning	No.1	15°(N)	3.97			
	Morning	No.2	0°	3.97			
	Night	No.1	15°(N)	3.98	0.01		
	Night	No.2	0°	3.99	0.02	0°	> 15°(N)
22-Apr-23	Morning	No.1	0°	3.99			
	Morning	No.2	15°(N)	3.98			
	Night	No.1	0°	4.00	0.01		
	Night	No.2	15°(N)	4.00	0.02	0°	< 15°(N)